

Improving the environment



New beginnings...

Product Catalogue 2009



SAP and current Numeration:

Espar has been working with their parent company, Eberspaecher to implement a new computer system called SAP (**S**ystems **A**pplication **P**roducts of data processing). SAP numeration will be replacing our current numeration for all inventory management functions for Espar.

This catalogue contains the new SAP part numbers. For any product numbers that changed due to SAP the old part number can be found in brackets.

For your convenience all manuals can be found at www.espar.com/help with heater specific parts listing

Table of Contents

PAGE

Contents

Table of Contents	3
-------------------	---

The Basics

Gasoline Air Heaters	4
Diesel Air Heaters	5
Gasoline Coolant Heaters	6
Diesel Coolant Heaters	7
Control Options and Timers	8
NITE Air Conditioning Systems	9

Heaters and Kit Breakdown (Scope of Delivery)

AIR HEATERS

<i>AIRTRONIC</i> D2, Truck Kits and High altitude kits	10
<i>AIRTRONIC</i> D4/B4	11
D1LC <i>compact</i> / B1LC <i>compact</i>	12
<i>AIRTRONIC</i> B / D5	13
D8LC	14

COOLANT HEATERS

<i>HYDRONIC</i> B / D4	15
<i>HYDRONIC</i> B / D5 SC	16
Pick-Up Truck Kits (<i>After Market</i>)	17
<i>HYDRONIC</i> B / D5 S	18
<i>HYDRONIC</i> 10 / M, <i>HYDRONIC</i> M-II	19
E-Guardian	19
<i>HYDRONIC</i> L-II / 16 / 24 / 30 / 35	20

COMBO KITS

<i>AIRTRONIC</i> D2 and <i>HYDRONIC</i> D4 Truck Kit	21
<i>AIRTRONIC</i> D2 and <i>HYDRONIC</i> D5 Truck Kit	21
<i>AIRTRONIC</i> D2 and <i>HYDRONIC</i> D5 Boxed Truck Kit	21
<i>AIRTRONIC</i> D4 and <i>HYDRONIC</i> D4 Truck Kit	22
<i>AIRTRONIC</i> D4 and <i>HYDRONIC</i> D5 Truck Kit	22

Accessories Parts Guide

Mounting	24-26
Bulk Wiring	27
Fuse Holders, Fuses and Breakers	28-29
Terminals and Connectors	30-33
Power Converters 12V to 24V	34
Control Options and Timers	35-37
Exhaust	38-41
Ducting	42-48
Plumbing	49-53
Testers, Adapters and Special Tools	54-55
Fuel System	56-59
Fuel System Guide	60
Ducting Rating Guide	61-73

Gasoline Air Heaters

Description

Part Number

B1LC compact 7,500 BTU

Basic Heater 12 volt with fuel pump

20 1766 05 00 00



AIRTRONIC B4 18,800 BTU

Basic Heater 12 volt with fuel pump

20 1812 05 00 00



AIRTRONIC B5 18,800 BTU

Basic Heater 12 volt with fuel pump with outlet hood

20 1859 05 00 00



1
1
2
3
4
5

Diesel Air Heaters

Description

Part Number

AIRTRONIC 2 7,500 BTU

Basic Heater 12 volt with fuel pump

25 2069 05 00 00

Basic Heater 24 volt with fuel pump

25 2070 05 00 00



AIRTRONIC 4 13,600 BTU

Basic Heater 12 volt with fuel pump

25 2113 05 00 00

Basic Heater 24 volt with fuel pump

25 2114 05 00 00



AIRTRONIC 5 18,800 BTU

Basic Heater 12 volt with fuel pump with outlet hood

25 2361 05 00 00

Basic Heater 24 volt with fuel pump with outlet hood

25 2362 05 00 00



D8LC compact 27,300 BTU

Basic Heater 12 volt with control unit, internal cable harness, fuel pump, rheostat switch, external temperature sensor, combustion air tube, mounting bracket and shock mounts

25 1890 00 00 00

Basic Heater 24 volt with control unit, internal cable harness, fuel pump, rheostat switch, external temperature sensor, combustion air tube, mounting bracket and shock mounts

25 1891 05 00 00



1
1
2
3
4
5

Gasoline Coolant Heaters

Description

Part Number

HYDRONIC B4 SC 13,700 BTU

Basic Heater 12 volt

20 1824 05 00 00



HYDRONIC B5 SC 17,100 BTU

Basic Heater 12 volt with external fuel pump

20 1820 05 00 00



HYDRONIC B5 S 17,100 BTU

Basic Heater 12 volt with external water pump and fuel pump

20 1819 05 00 00



1
1
2
3
4
5

Diesel Coolant Heaters

Description

Part Number

HYDRONIC D4 SC 13,700 BTU

Basic Heater 12 volt

25 2257 05 00 00



HYDRONIC D5 SC 17,100 BTU

Basic Heater 12 volt

25 2219 05 00 00

Basic Heater 12 volt with external fuel pump

25 2325 05 00 00

Basic Heater 24 volt with external fuel pump,
coolant in/out 20mm

25 2147 05 00 00



HYDRONIC D5 S 17,100 BTU

Basic Heater 12 volt with external water pump
and fuel pump

25 2217 05 00 00

Basic Heater 24 volt with external water pump
and fuel pump, coolant in/out 18mm

25 2218 05 00 00

Basic Heater 24 volt with external water pump
and fuel pump, coolant in/out 20mm

25 2146 05 00 00



SPECIAL ORDER

HYDRONIC 5 Z 17,100 BTU

Basic Add Heater 12 volt

25 2216 05 00 00



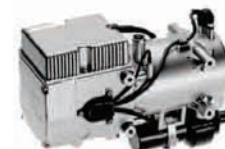
HYDRONIC 10/M 32,400 BTU

Basic Heater 12 volt with Fuel Pump

25 2160 05 00 00

Basic Heater 24 volt with Blinkcode

25 2227 05 00 00



HYDRONIC M-II 27,300, 32,450, 42,000 BTU

Hydronic M8 biodiesel 12 volt

25 2470 05 00 00

Hydronic M8 biodiesel 24 volt

25 2471 05 00 00

Hydronic M10 12 volt

25 2434 05 00 00

Hydronic M10 24 volt

25 2435 05 00 00

Hydronic M12 12 volt

25 2472 05 00 00

Hydronic M12 24 volt

25 2473 05 00 00

Universal Installation Kit

25 2435 80 00 00



HYDRONIC 16 / 24 / 30 / 35

HYDRONIC L 16

25 2486 02 00 00

HYDRONIC L 24

25 2487 02 00 00

HYDRONIC L 24 Compact

25 2487 05 00 00

Water pump **Flowtronic 5000** and fuel filter pre-assembled

HYDRONIC L 30

25 2488 02 00 00

HYDRONIC L 30 Compact

25 2488 05 00 00

Water pump **Flowtronic 5000** and fuel filter pre-assembled

HYDRONIC L 35

25 2489 02 00 00

HYDRONIC L 35 Compact

25 2489 05 00 00

Water pump **Flowtronic 5000** and fuel filter pre-assembled



1
1
2
3
4
5

Control Options and Timers

Description

Part Number

Rheostat Switch

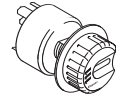
(AIRTRONIC 2 / 4, B1LC / B3LC compact, D5LC, D8LC)

12 volt

25 1895 71 00 00

24 volt

25 1896 71 00 00

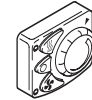


Mini-Controller

(AIRTRONIC 2 / 4)

12 and 24 volt

22 1000 32 07 00



Thermostat

(AIRTRONIC 2 / 4, B1LC / B3LC compact, D5LC, D8LC)

12 volt

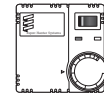
5670097

(301 00 154)

24 volt

5670096

(301 00 153)



External Switch Box (for CARGO applications only)

(B3LC compact, D5LC)

20 2900 70 03 06

(CA1 60 306)

External Switch Harness 20 feet

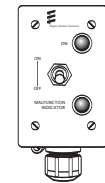
20 2900 70 02 79

(CA1 70 004)

External Switch Harness 40 feet

20 2900 70 00 21

(CA1 70 003)



Push / Pull Switch

(AIRTRONIC 4, D5LC, HYDRONIC 4 / 5, HYDRONIC 10, HYDRONIC 16 / 24 / 30 / 35)

12 volt

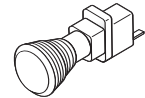
5670007

(CA1 00 003)

24 volt

5670008

(CA1 00 004)



Mini Timer

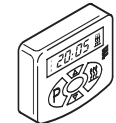
(HYDRONIC 4 / 5)

Green Display 12 and 24 volt

22 1000 31 60 00

Blue Display 12 and 24 volt

22 1000 32 18 00



7-Day Timer

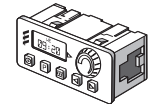
(AIRTRONIC 2 / 4, B / D1LC compact, B / D3LC compact)

12 and 24 volt 7day Timer

20 2900 70 02 35

(CA1 00 235)

Timer with Bezel and Mounting Bracket



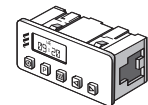
(HYDRONIC 4 / 5, HYDRONIC 10, HYDRONIC 16 / 24 / 30 / 35)

12 and 24 volt 7day Timer

20 2900 70 02 30

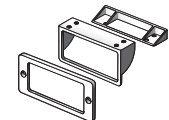
(CA1 00 230)

Timer with Bezel and Mounting Bracket



Bezel and Mounting Bracket

25 1482 70 01 00



Programmable timer

12 volt

5670100

24 volt

5670099



Digi Controller

12 volt

20 2800 70 10 00



NITE Air Conditioning Systems

Description SAP Part Number Old Part Number

Truck Model	SAP Part Number	AC only	NOTE
Kenworth Classic Sleeper		5699895	<i>NOTE All NITE system kits include all necessary installation hardware for air conditioning unit and heating system.</i>
Mack Vision		5699893	
Mack CH & CL		5699892	
Sterling A-Line		5699890	
Volvo VN Classic Sleeper & WIA	20 2800 11 0005	5699889	
Peterbilt 387		5699877	
Kenworth Sofa Sleeper		5699870	
Freightliner Underbunk Mounting		5699874	
International 9000I Series Mfg before 6/02		5699887	
International 9000I Series Mfg after 6/02 w/o rear cabinet	20 2800 11 0006	5699886	
International 9000I Series Mfg after 6/02 w/rear cabinet		5699855	
Kenworth T2000 w/rear shelf			
Kenworth T2000 w/o rear shelf	20 2800 11 0007		
Peterbilt 379 70" Sleeper			
Peterbilt 379 63" Sleeper	20 2800 11 0008		
Volvo VN 61" Sleeper 670 w/table		5699881	
Volvo VN 77" Sleeper 780 w/table	20 2800 11 0009	5699880	
Western Star	20 2800 11 0010	5699888	
International Prostar / Lonestar	20 2800 11 0004		
Nite Batteries (4) for all Combo Kits	5611000	(1000010992)	
Battery Box (Excide only) for all Combo Kits	5611001	(1000010993)	
Universal A.C only Kit		5611005	

1
1
2
3
4
5

Scope of Delivery

Description	Part Number	Heater	Harness	Fuel System	Ducting	Mounting Bracket	Control Options / Timers	Fuel Pickup Pipe	Hardware Kit	Exhaust Pipe	Intake Pipe	Manuals
AIRTRONIC²												
Basic Heater 12 volt	25 2069 05 00 00	•										•
Basic Heater 24 volt	25 2070 05 00 00	•										•
Universal Installation Kit 12 or 24 volt	20 2820 69 02 80 (CA 2069 80)		•	•	•			•	•	•	•	•
AIRTRONIC² TRUCK KITS												
Conventional Truck Kit 12 volt with Thermostat No fuel pick-up pipe	20 2820 69 02 95 (CA 2069 95)	•	•	•	•	•	•		•	•	•	•
Conventional Truck Kit 12 volt with Mini-Controller No fuel pick-up pipe	20 2820 69 02 96 (CA 2069 96)	•	•	•	•	•	•		•	•	•	•
Conventional Truck Kit 12 volt with Thermostat	20 2820 69 02 81 (CA 2069 81)	•	•	•	•	•	•	•	•	•	•	•
Conventional Truck Kit 12 volt with Thermostat and 90° Outlet Hood	20 2820 69 02 84 (CA 2069 84)	•	•	•	•	•	•	•	•	•	•	•
Conventional Truck Kit 12 volt with Mini-Controller	20 2820 69 02 85 (CA 2069 85)	•	•	•	•	•	•	•	•	•	•	•
Conventional Truck Kit 12 volt with Mini-Controller and pickup pipe for vent fitting	20 2820 69 02 91 (CA 2069 85)	•	•	•	•	•	•	•	•	•	•	•
Conventional Truck Kit 12 volt with 7 Day Timer	20 2820 69 02 86 (CA 2069 86)	•	•	•	•	•	•	•	•	•	•	•
Conventional Truck Kit 24 volt with Thermostat	20 2820 70 02 81 (CA 2070 81)	•	•	•	•	•	•	•	•	•	•	•
Conventional Truck Kit 12 volt with Thermostat with high altitude pump	20 2820 69 02 98	•	•	•	•	•	•	•	•	•	•	•

High altitude Kits

With high altitude fuel pump	24 0222 00 00 00
With high altitude sensor, no extra fuel pump needed	20 2900 70 00 07
Only heaters that show "H-Kit" on their factory label	22 1000 33 22 00

Hardware Kit INCLUDES:

- Fuel Clamps
- Nuts
- Cable Ties
- Grommets
- Exhaust Clamps
- Brackets
- Ducting Clamps
- Washers
- Routing Clamps
- End Caps
- Exhaust
- Mounting Screws

Fuel System INCLUDES:

- Clamps
- 5mm Fuel Line
- 1.5mm Fuel Line
- 3.5mm Fuel Line

*Refer to the Accessories Section for ducting components and additional accessories.
For the addition of engine preheat, refer to the Combo Truck Kits Section.*

Scope of Delivery

Description	Part Number	Heater	Harness	Fuel System	Ducting	Mounting Bracket	Control Options / Timers	Fuel Pickup Pipe	Hardware Kit	Exhaust Pipe	Intake Pipe	Manuals
AIRTRONIC B4												
Basic Heater 12 volt with fuel pump	20 1812 05 00 00	•										•
AIRTRONIC 4												
Basic Heater 12 volt with fuel pump	25 2113 05 00 00	•										•
Basic Heater 24 volt with fuel pump	25 2114 05 00 00	•										•
Universal Installation Kit 12 or 24 volt	20 2821 13 04 80	(CA 2113 80)	•	•	•			•	•	•	•	•
AIRTRONIC 4 TRUCK KITS												
Conventional Truck Kit 12 volt with Thermostat	20 2821 13 04 81	(CA 2113 81)	•	•	•	•	•	•	•	•	•	•
Conventional Truck Kit 12 volt with Mini-Controller	20 2821 13 04 85	(CA 2113 85)	•	•	•	•	•	•	•	•	•	•
AIRTRONIC 4 CARGO KITS												
Cargo Installation Kit 12 volt with Thermostat	20 2900 00 04 01	(CA0 30 401)	•	•	•	X	•	•	•	■	•	•

x = cargo bracket
 ■ = exhaust with plate

Hardware Kit INCLUDES:

- Fuel Clamps
- Ducting Clamps
- Nuts
- Washers
- Cable Ties
- Routing Clamps
- Grommets
- End Caps
- Exhaust Clamps
- Exhaust Brackets
- Mounting Screws

Fuel System INCLUDES:

- Clamps
- 5mm Fuel Line
- 1.5mm Fuel Line
- 3.5mm Fuel Line

Refer to the Accessories Section for ducting components and additional accessories.

For the addition of engine preheat, refer to the Combo Truck Kits Section.



D1LC compact Gasoline Air Heater 7,500 BTU

B1LC compact Gasoline Air Heater 7,500 BTU

Scope of Delivery

Description	Part Number	Heater	Harness	Fuel System	Ducting	Mounting Bracket	Control Options / Timers	Fuel Pickup Pipe	Hardware Kit	Exhaust Pipe	Intake Pipe	Manuals
D1LC compact												
D1LC Compact 12 volt with fuel pump (limited in stock)	25 1976 05 00 00	•										•
B1LC compact												
Basic Heater 12 volt with fuel pump	20 1766 05 00 00	•										•
Universal Installation Kit 12 volt	20 2819 76 01 80 (CA 1976 80)		•	•	•				•	•	•	•

Hardware Kit INCLUDES:

- Fuel Clamps
- Ducting Clamps
- Nuts
- Washers
- Cable Ties
- Routing Clamps
- Grommets
- End Caps
- Exhaust Clamps
- Exhaust Brackets
- Mounting Screws

Fuel System INCLUDES:

- Clamps
- 5mm Fuel Line
- 1.5mm Fuel Line
- 3.5mm Fuel Line

Refer to the Accessories Section for ducting components and additional accessories.



Scope of Delivery

Description	Part Number	Heater	Harness	Fuel System	Ducting	Mounting Bracket	Control Options / Timers	Fuel Pickup Pipe	Hardware Kit	Exhaust Pipe	Intake Pipe	Manuals
AIRTRONIC B5												
Basic Heater 12 volt with fuel pump, outlet hood	25 2361 05 00 00	•										•
Basic Heater 24 volt with fuel pump, outlet hood	25 2362 05 00 00	•										•
Universal Installation Kit 12 and 24 volt	20 2823 61 05 80 (CA 2361 80)		•	•	•			•	•	•	•	
AIRTRONIC B5												
Basic Heater 12 volt with fuel pump,	20 1859 05 00 00	•										•
Universal Installation Kit 12 and 24 volt	20 2823 61 05 80 (CA 2361 80)		•	•	•			•	•	•	•	
AIRTRONIC L CARGO KITS												
Inside Trailer Kit 12 volt with Thermostat	20 2900 00 05 50 (CA0 30 550)	•				□	•	•	•	■	•	•

□ = cargo bracket
 ■ = exhaust with plate

Hardware Kit INCLUDES:

- Fuel Clamps
- Nuts
- Washers
- Cable Ties
- Routing Clamps
- Grommets
- End Caps
- Exhaust Clamps
- Exhaust Brackets
- Mounting Screws

Fuel System INCLUDES:

- Clamps
- 5mm Fuel Line
- 1.5mm Fuel Line
- 3.5mm Fuel Line

Refer to the Accessories Section for ducting components and additional accessories.

For the addition of engine preheat, refer to the Combo Truck Kits Section.



D8LC Diesel Air Heater 27,300 BTU

Description	Part Number
-------------	-------------

NOTE: No installation kits available for this heater.

D8LC compact

Basic Heater 12 volt	25 1890 00 00 00	
INCLUDES: Control Unit	25 1688 50 00 45	
Fuel Pump	22 4603 01 00 00	
Rheostat Switch	25 1895 71 00 00	
External Temperature Sensor	25 1774 89 03 00	
Combustion Air Tube	10 2114 25 00 00	
Shock Mounts	330 00 036	
Mounting Bracket (large)	25 1244 05 00 02	
Mounting Bracket (small)	25 1728 05 00 01	
Basic Heater 24 volt	25 1891 05 00 00	
INCLUDES: Control Unit	25 1689 50 00 37	
Fuel Pump	22 4604 01 00 00	
Rheostat Switch	25 1896 71 00 00	
External Temperature Sensor	25 1774 89 03 00	
Combustion Air Tube	10 2114 25 00 00	
Shock Mounts	330 00 036	
Mounting Bracket (large)	25 1244 05 00 02	
Mounting Bracket (small)	25 1728 05 00 01	

Accessories

Harness		
External Harness 20 feet	20 2900 70 08 02	(CA1 60 802)
External Harness 35 feet	20 2900 70 08 03	(CA1 60 803)
Fuel		
Fuel line 5.0mm black rubber, suction side	360 75 350	
Fuel line 2.0mm white plastic, pressure side	890 31 117	
Fuel line connector piece 3.5mm for 2mm fuel line	360 75 300	
Fuel pick-up pipe 4mm	20 2900 20 20 58	(CA0 12 058)
Clamp 9mm for 3.5mm hose	10 2068 00 90 98	
Clamp 11mm for 5mm hose	10 2068 01 10 98	
Exhaust		
Flexible stainless steel exhaust 42mm	5530013	WG4 42 000
Exhaust clamp	152 10 062	
Exhaust end cap for 42mm	22 1000 40 02 00	
Flexible air intake 30mm SPECIAL ORDER	10 2114 25 00 00	
Controls		
Thermostat 12 volt	5670097	(301 00 154)
Thermostat 24 volt	5670096	(301 00 153)
Rheostat Switch 12 volt	25 1895 71 00 00	
Rheostat Switch 24volt	25 1896 71 00 00	
External Temperature Sensor, provided with heater	25 1774 89 03 00	
External Temperature Sensor, extension harness	25 1482 89 40 00	

Refer to the Accessories Section for ducting components.

Scope of Delivery

Description	Part Number	Heater	Harness	Fuel System*	Coolant Hose	Mounting Bracket	Control Options / Timers	Fuel Pickup Pipe	Hardware Kit ^o	Exhaust Pipe	Intake Pipe	Boxed	Manuals
HYDRONIC B4 SC GASOLINE													
Basic Heater 12 volt	20 1824 05 00 00	•											•
Universal Installation Kit 12 volt	20 1824 80 00 00		→	•	•	•			•	•	•		
HYDRONIC D4 SC DIESEL													
Basic Heater 12 volt	25 2257 05 00 00	•											•
Universal Installation Kit 12 volt	25 2257 80 00 00		→	•	•	•			•	•	•		
HYDRONIC D4 SC TRUCK KITS DIESEL													
12 volt	25 2822 57 04 20 (CA 2257 20)	•	•	•		•		•	•	•	•		•
Boxed 12 volt	25 2822 57 04 55 (CA 2257 55)	•	•	•		•		•	•	•	•	•	•

→ = includes blower relay connection

^oHardware Kit INCLUDES:

- | | |
|-----------------|------------------|
| Fuel Clamps | Ducting Clamps |
| Nuts | Washers |
| Cable Ties | Routing Clamps |
| Grommets | End Caps |
| Exhaust Clamps | Exhaust Brackets |
| Mounting Screws | |

***Fuel System INCLUDES:**

- Clamps
- 5mm Fuel Line
- 1.5mm Fuel Line
- 3.5mm Fuel Line

*Refer to the Accessories Section for additional accessories.
For the addition of bunk heat, refer to the Combo Truck Kits Section.*



Scope of Delivery

If installation is less than 6 feet from the fuel tank kits with external fuel pumps are not required.

Description	Part Number	Heater	Harness	Fuel System*	Coolant Hose	Mounting Bracket	Control Options / Timers	Fuel Pickup Pipe	Hardware Kit ^o	Exhaust Pipe	Intake Pipe	Boxed	Manuals
HYDRONIC D5 SC DIESEL													
Basic Heater 12 volt	25 2219 05 00 00	•											•
Universal Installation Kit 12 volt	25 2219 80 00 00		↔	•	•	•			•	•	•		
Basic Heater 12 volt with External Fuel Pump	25 2325 05 00 00	•											•
Universal Installation Kit 12 volt	20 1820 80 00 00		↔	•	•	•			•	•	•		
Basic Heater 24 volt	25 2147 05 00 00	•											•
Universal Installation Kit 24 volt	25 2009 80 00 00		↔	•	•	•			•	•	•		
HYDRONIC D5SC TRUCK KITS DIESEL													
Boxed 12 volt no Fuel Pick-up	25 2822 19 05 56	•	•	•		•			•	•	•	•	•
12 volt	25 2822 19 05 20 (CA 2219 20)	•	•	•		•		•	•	•	•	•	•
12 volt with 7-Day Timer	25 2822 19 05 21 (CA 2219 21)	•	•	•		•	•	•	•	•	•	•	•
Boxed 12 volt	25 2822 19 05 55 (CA 2219 55)	•	•	•		•		•	•	•	•	•	•
Boxed 12 volt with 7-Day Timer	25 2822 19 05 57 (CA 2219 57)	•	•	•		•	•	•	•	•	•	•	•
12 volt with External Fuel Pump	25 2823 25 05 20 (CA 2325 20)	•	•	•		•		•	•	•	•	•	•
Boxed 12 volt with External Fuel Pump	25 2823 25 05 55 (CA 2325 55)	•	•	•		•		•	•	•	•	•	•
HYDRONIC D5 SC OFF-HIGHWAY KITS DIESEL													
24 volt with External Fuel Pump	25 2821 47 05 20 (CA 2147 20)	•	•	•		•		•	•	•	•	•	•
Boxed 24 volt with External Fuel Pump	25 2821 47 05 55 (CA 2147 55)	•	•	•		•		•	•	•	•	•	•
HYDRONIC D5 SC AUTOMOTIVE PICK-UP KITS DIESEL													
12 volt	25 2822 19 05 22 (CA 2219 22)	•	*	•	•	•	•	•	•	•	•	•	•
12 volt with External Fuel Pump	25 2823 25 05 22 (CA 2325 22)	•	*	•	•	•	•	•	•	•	•	•	•
HYDRONIC B5 SC GASOLINE													
Basic Heater 12 volt with external fuel pump	20 1820 05 00 00	•											•
Universal Installation Kit 12 volt	20 1820 80 00 00		↔	•	•	•			•	•	•		
HYDRONIC B5SC TRUCK KIT GASOLINE													
Boxed 12 volt with External Fuel Pump	20 2818 20 05 20 (CA 1820 20)	•	•	•		•		•	•	•	•	•	•
HYDRONIC B5 SC AUTOMOTIVE PICK-UP KIT GASOLINE													
12 volt with External Fuel Pump	20 2818 20 05 22 (CA 1820 22)	•	*	•	•	•	•	•	•	•	•	•	•
Sprinter Conversion Kit with Mini-timer (before 2006)	24 0212 00 00 00												

↔ = includes blower relay connection
 * = harness has blower relay

Refer to the Accessories Section for ducting components and additional accessories.
 For the addition of engine preheat, refer to the Combo Truck Kits Section.

Pick-up Truck Kits

HYDRONIC D5 Diesel Coolant Heater 17,100 BTU

Scope of Delivery

If installation is less than 6 feet from the fuel tank kits with external fuel pumps are not required.

Description	Part Number	Heater	Harness	Fuel System*	Coolant Hose	Mounting Bracket	Control Options / Timers	Fuel Pickup Pipe	Hardware Kit ^o	Exhaust Pipe	Intake Pipe	Boxed	Manuals
Pick-up Truck kits (After Market)													
DODGE Kits													
2003 - 2007	5.9 L with mini timer	25 2822 19 05 32	•	*	•	•	•	•	•	•	•	•	•
2007 - 2008	6.3 L with mini timer	25 2800 10 05 35	•	*	•	•	•	•	•	•	•	•	•
GM Duramax Kits													
Frame dimensions not larger than 225mm high, 77mm wide													
Mini timer and internal FMP	Left side mount	25 2822 19 05 70	•	•	•	•	•	•	•	•	•	•	•
Mini timer and external FMP	Right side mount	25 2823 25 05 75	•	•	•	•	•	•	•	•	•	•	•
Ford Powerstroke Kits													
Frame rail dimensions not larger than 204mm high, 77mm wide													
Mini timer and internal FMP	Left side mount	25 2822 19 05 80	•	•	•	•	•	•	•	•	•	•	•
Mini timer and external FMP	Right side mount	25 2823 25 05 85	•	•	•	•	•	•	•	•	•	•	•
Sprinter Conversion Kit with mini - timer													
Converts auxiliary heater into preheater (2006 and earlier models)		24 0212 00 00 00											

* = harness has blower relay

^oHardware Kit INCLUDES:

- Fuel Clamps
- Nuts
- Cable Ties
- Grommets
- Exhaust Clamps
- Mounting Screws
- Ducting Clamps
- Washers
- Routing Clamps
- End Caps
- Exhaust Brackets

***Fuel System INCLUDES:**

- Clamps
- 5mm Fuel Line
- 1.5mm Fuel Line
- 3.5mm Fuel Line

Refer to the Accessories Section for additional accessories.
For the addition of engine preheat, refer to the Combo Truck Kits Section.



Scope of Delivery

If installation is less than 6 feet from the fuel tank kits with external fuel pumps are not required.

Description	Part Number	Heater	Harness	Fuel System	Coolant Hose	Mounting Bracket	Control Options / Timers	Fuel Pickup Pipe	Hardware Kit	Exhaust Pipe	Intake Pipe	Boxed	Manuals
HYDRONIC D5 S DIESEL													
Basic Heater 12 volt	25 2217 05 00 00	•											•
Universal Installation Kit 12 volt	20 1819 80 00 00		↕	•	•	•			•	•	•		•
Basic Heater 24 volt	25 2218 05 00 00	•											•
Universal Installation Kit 24 volt	25 2218 80 00 00		↕	•	•	•			•	•	•		•
Basic Heater 24 volt	25 2146 05 00 00	•											•
Universal Installation Kit 24 volt	25 2009 80 00 00		↔	•	•	•			•	•	•		•
HYDRONIC D5S TRUCK KIT DIESEL													
12 volt with External Water and Fuel Pump	25 2822 17 05 20 (CA 2217 20)	•	•	•	•	•		•	•	•	•		•
HYDRONIC D5S OFF-HIGHWAY KIT DIESEL													
24 volt with External Water and Fuel Pump	25 2822 18 05 20 (CA 2218 20)	•	•	•	•	•		•	•	•	•		•
HYDRONIC B5 S GASOLINE													
Basic Heater 12 volt with external water and fuel pump	20 1819 05 00 00	•											•
Universal Installation Kit 12 volt	20 1819 80 00 00		↔	•	•	•			•	•	•		•

↔ = includes blower relay connection

Hardware Kit INCLUDES:

- Fuel Clamps
- Ducting Clamps
- Nuts
- Washers
- Cable Ties
- Routing Clamps
- Grommets
- End Caps
- Exhaust Clamps
- Exhaust Brackets
- Mounting Screws

Fuel System INCLUDES:

- Clamps
- 5mm Fuel Line
- 1.5mm Fuel Line
- 3.5mm Fuel Line

Refer to the Accessories Section for ducting components and additional accessories.

For the addition of engine preheat, refer to the Combo Truck Kits Section.

HYDRONIC 10 / M Diesel Coolant Heater 32,400 BTU

Scope of Delivery

Description	Part Number		Heater	Harness	Fuel System	Coolant Hose	Mounting Bracket	Control Options / Timers	Fuel Pickup Pipe	Hardware Kit	Exhaust Pipe	Intake Pipe	Boxed	Manuals
HYDRONIC 10 / M														
Basic Heater 12 volt with Fuel Pump	25 2160 05 00 00		•											•
Universal Installation Kit 12 volt	25 2821 60 10 80	(CA 2160 80)		•	•		•			•	•	•		•
Basic Heater 24 volt with Blinkcode	25 2227 05 00 00		•											•
Universal Installation Kit 12 and 24 volt	25 2822 27 10 80	(CA 2227 80)		•	•		•			•	•	•		•
HYDRONIC 10 / M - BOXED KITS														
Boxed 12 volt with Internal Fuel Pump (max. 6ft. of fuel line)	25 2821 60 10 55	(CA 2160 55)	•	•	•		•		•	•	•	•	•	•
Boxed 12 volt with External Fuel Pump	25 2821 60 10 56	(CA 2160 56)	•	•	•		•		•	•	•	•	•	•
Boxed 24 volt with Internal Fuel Pump (max. 6ft. of fuel line)	25 2822 27 10 55	(CA 2227 55)	•	•	•		•		•	•	•	•	•	•
Boxed 24 volt with External Fuel Pump	25 2822 27 10 56	(CA 2227 56)	•	•	•		•		•	•	•	•	•	•

HYDRONIC M-II Series: 27,300, 32,450, 42,000 BTU

Hydronic M8 biodiesel 12 volt	25 2470 05 00 00		•						•					•
Hydronic M8 biodiesel 24 volt	25 2471 05 00 00		•						•					•
Hydronic M10 12 volt	25 2434 05 00 00		•											•
Hydronic M10 24 volt	25 2435 05 00 00		•											•
Hydronic M12 12 volt	25 2472 05 00 00		•											•
Hydronic M12 24 volt	25 2473 05 00 00		•											•
Hydronic M8 biodiesel 12 volt Boxed Kit	25 2824 70 08 10		•	•	•		•		•	•	•	•	•	•
Hydronic M8 biodiesel 24 volt Boxed Kit	25 2824 71 08 10		•	•	•		•		•	•	•	•	•	•
Hydronic M10 12 volt Boxed Kit	25 2824 34 10 10		•	•	•		•		•	•	•	•	•	•
Hydronic M10 24 volt Boxed Kit	25 2824 35 10 10		•	•	•		•		•	•	•	•	•	•
Hydronic M12 12 volt Boxed Kit	25 2824 72 12 10		•	•	•		•		•	•	•	•	•	•
Hydronic M12 24 volt Boxed Kit	25 2824 73 12 10		•	•	•		•		•	•	•	•	•	•
Universal Installation Kit	25 2435 80 00 00			•	•		•			•	•	•		

E-Guardian

Hydronic D5	25 2823 25 05 00		•	•	•	•	•	•	•	•	•	•	•	•
Hydronic MII 8	25 2824 70 08 00		•	•	•	•	•	•	•	•	•	•	•	•
Hydronic MII 10	25 2824 34 10 00		•	•	•	•	•	•	•	•	•	•	•	•
Hydronic MII 12	25 2824 72 12 00		•	•	•	•	•	•	•	•	•	•	•	•

Hardware Kit INCLUDES:

Fuel Clamps, Ducting Clamps, Nuts, Washers, Cable Ties, Routing Clamps, Grommets, End Caps, Exhaust Clamps, Exhaust Brackets, Mounting Screws.

Fuel System INCLUDES:

Clamps, 5mm Fuel Line
1.5mm Fuel Line, 3.5mm Fuel Line.

*Note: A special fuel pipe kit is enclosed with the two bio diesel heaters.
The fuel pipes in this kit are especially suitable for biodiesel fuels.
Refer to the Accessories Section for ducting components and additional accessories.
For the addition of engine preheat, refer to the Combo Truck Kits Section.*

HYDRONIC L-II

HYDRONIC 16 Diesel Coolant Heater 55,000 BTU

HYDRONIC 24 Diesel Coolant Heater 82,000 BTU

HYDRONIC 30 Diesel Coolant Heater 102,000 BTU

HYDRONIC 35 Diesel Coolant Heater 120,000 BTU

NOTE: No installation kits available for these heaters.

Description	Part Number	
HYDRONIC L 16		
Basic Heater 24 volt	25 2486 02 00 00	
HYDRONIC L 24		
Basic Heater 24 volt	25 2487 02 00 00	
HYDRONIC L 24 Compact		
Water pump Flowtronic 5000 and fuel filter pre-assembled	25 2487 05 00 00	
HYDRONIC L 30		
Basic Heater 24 volt	25 2488 02 00 00	
HYDRONIC L 30 Compact		
Water pump Flowtronic 5000 and fuel filter pre-assembled	25 2488 05 00 00	
HYDRONIC L 35		
Basic Heater 24 volt	25 2489 02 00 00	
HYDRONIC L 35 Compact		
Water pump Flowtronic 5000 and fuel filter pre-assembled	25 2489 05 00 00	
Accessories		
Harnesses		
Universal Harness	20 2900 70 05 10	(CA1 60 510)
Compact Heater Harness	20 2900 70 05 11	(CA1 60 511)
Fuel		
Nipple and Nut Connectors for compact version (1 required)	20 2900 20 20 71	(CA0 12 071)
Fuel Line 5.0mm black rubber	360 75 350	
Clamps 11mm	10 2063 01 10 98	
Fuel Pick-up with Return	20 2900 20 20 59	(CA0 12 059)
Exhaust		
Flexible Stainless Steel Exhaust Tube 70mm	5530015	(WG4 70 000)
Muffler Clamp 3"	5530004	(CA1 10 043-001)
Exhaust Elbow (70mm exhaust) D30 / D35	22 1000 40 03 00	
Pumps		
Coolant Pump 24volt (5,000 L/hr)	25 1818 29 00 00	
Coolant Pump 24 volt (6,000 L/hr)	25 1371 89 37 00	
Flowtronic Coolant Pump 24 volt (6,000 L/hr)	25 1818 27 00 00	
Controls		
Push / Pull Switch 24 volt (supplied with harness)	5670008	(CA1 00 004)
7-Day Timer Kit 24 volt	22 1000 30 36 00	
7-Day Timer Kit 24 volt with Bezel and Mounting Bracket	20 2900 70 02 30	
Bezel and Mounting Bracket for 7-day timer	25 1482 70 01 00	
12V to 24V Power Converter Kits		
Hydronic 16 with/without coolant pump		
Hydronic 24, 30, 35 without pump	25 2800 90 12 23	
Hydronic 16, 24, 30, 35 with/without coolant pump	25 2800 90 12 24	

*All HYDRONIC 16 / 24 / 30 / 35 heaters come with a preheat nozzle.
Refer to the Accessories Section for additional accessories.*

AIRTRONIC 2 | HYDRONIC 4 | 5

Combo Kits Diesel 12 volt only

Scope of Delivery

Description	Part Number	Heater	Harness	Fuel System	Coolant Hose	Mounting Bracket	Control Options / Timers	Fuel Pickup Pipe	Hardware Kit	Exhaust Pipe	Intake Pipe	Boxed	Manuals
AIRTRONIC 2 HYDRONIC 4													
Truck Kit	20 2812 15 20 40 (CA 1520 40)	•	•	•	•	•	•	d	•	•	•	•	•
INCLUDES:	7-Day Timer Thermostat 12 volt Inside Frame Mounting Bracket												
Boxed Truck Kit	20 2812 15 20 41 (CA 1520 41)	•	•	•	•	•	•	d	•	•	•	•	•
INCLUDES:	7-Day Timer Thermostat 12 volt												
AIRTRONIC 2 HYDRONIC 5													
Truck Kit	20 2812 15 20 50 (CA 1520 50)	•	•	•	•	•	•	d	•	•	•	•	•
INCLUDES:	7-Day Timer5 Thermostat 12 volt												
Truck Kit	20 2812 15 20 56 (CA 1520 56)	•	•	•	•	•	•	d	•	•	•	•	•
INCLUDES:	7-Day Timer with Bracket Mini Controller												
Truck Kit with External Fuel Pump	20 2812 15 20 58 (CA 1520 58)	•	•	•	•	•	•	d	•	•	•	•	•
INCLUDES:	7-Day Timer with Bracket Mini Controller												
Boxed Truck Kit	20 2812 15 20 51 (CA 1520 51)	•	•	•	•	•	•	d	•	•	•	•	•
INCLUDES:	7-Day Timer with Bracket Thermostat 12 volt												
Boxed Truck Kit	20 2812 15 20 57 (CA 1520 57)	•	•	•	•	•	•	d	•	•	•	•	•
INCLUDES:	7-Day Timer with Bracket Mini Controller												

NOTE: If mounting the HYDRONIC 5 on the cross frame the "L" Bracket is required, part number CA0 10 103

d = double fuel pickup pipe

Refer to the Accessories Section for ducting components and additional accessories.

For the addition of engine preheat, refer to the Combo Truck Kits Section.



AIRTRONIC 4 | HYDRONIC 4 | 5

Combo Kits Diesel 12 volt only

Scope of Delivery

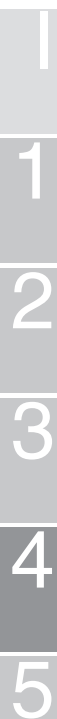
Description	Part Number	Heater	Harness	Fuel System	Coolant Hose	Mounting Bracket	Control Options / Timers	Fuel Pickup Pipe	Hardware Kit	Exhaust Pipe	Intake Pipe	Boxed	Manuals
AIRTRONIC 4 HYDRONIC 4													
Truck Kit	20 2812 15 40 40 (CA 1540 40)	•	•	•		•	•	d	•	•	•		•
INCLUDES: 7-Day Timer with Bracket Mini Controller													
Boxed Truck Kit	20 2812 15 40 41 (CA 1540 41)	•	•	•		•	•	d	•	•	•	•	•
INCLUDES: 7-Day Timer with Bracket Mini Controller													
AIRTRONIC 4 HYDRONIC 5													
Truck Kit	20 2812 15 40 50 (CA 1540 50)	•	•	•		•	•	d	•	•	•		•
INCLUDES: 7-Day Timer with Bracket Mini Controller													
Boxed Truck Kit	20 2812 15 40 51 (CA 1540 51)	•	•	•		•	•	d	•	•	•	•	•
INCLUDES: 7-Day Timer with Bracket Mini Controller													

NOTE: If mounting the HYDRONIC 5 on the cross frame the "L" Bracket is required, part number CA0 10 103

d = double fuel pickup pipe

Refer to the Accessories Section for ducting components and additional accessories.

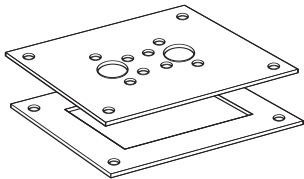
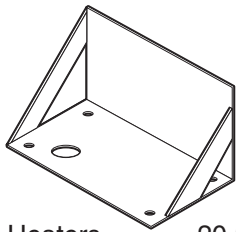
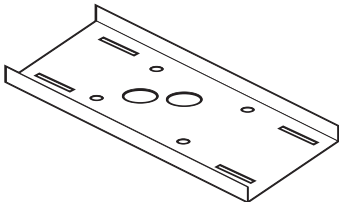
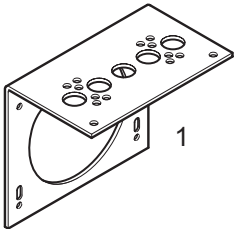
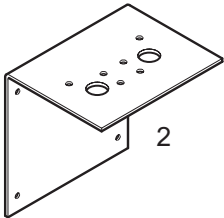
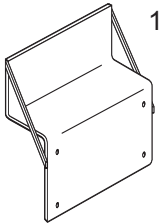
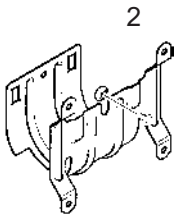
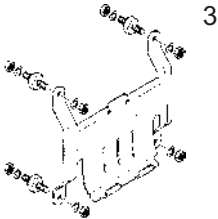
For the addition of engine preheat, refer to the Combo Truck Kits Section.



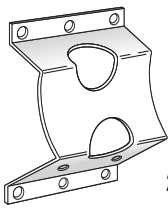
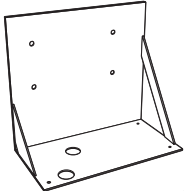
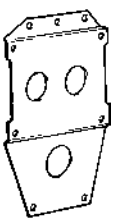
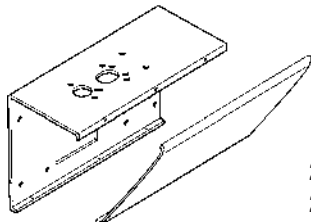
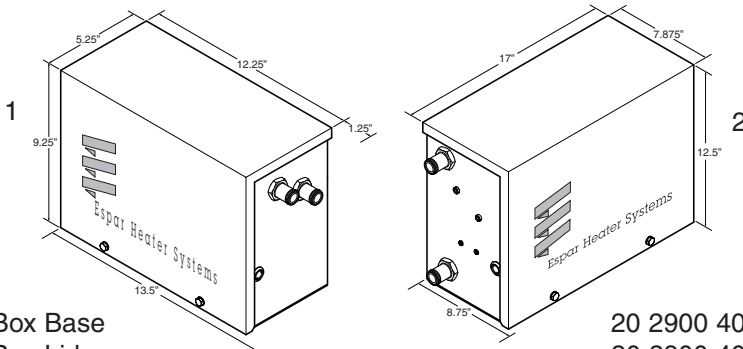
Accessories Parts Guide

Mounting.....	24-26
Bulk Wiring.....	27
Fuse Holders, Fuses and Breakers.....	28-29
Terminals and Connectors.....	30-32
Control Options and Timers.....	33-35
Exhaust.....	36-39
Ducting.....	40-46
Plumbing.....	47-51
Testers, Adapters and Special Tools.....	52-53
Fuel System.....	54-57
Fuel System Guide.....	58
Ducting Rating Guide.....	59-71
<i>AIRTRONIC 2</i>	59-60
<i>AIRTRONIC 4</i>	61-62
<i>B1LC compact</i>	63-64
<i>B3LC compact</i>	65-66
<i>B/D5LC</i>	67-68
<i>D8LC</i>	69-70

Mounting Parts

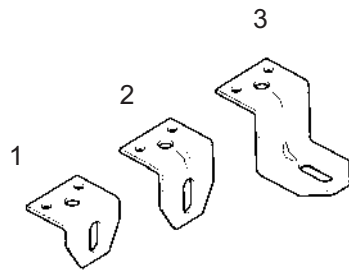
	Part Number	AIRTRONIC D2	AIRTRONIC D4	B1LC compact	B3LC compact	AIRTRONIC D5	D8LC	HYDRONIC 4/5	HYDRONIC 10 / M	HYDRONIC 16/24/30/35	HYDRONIC M-II
 <p>Mounting Plate with Seal</p>	5540001 (CA0 00 019)	•	•	•	•						
 <p>Side Frame Mounting Tray for Boxed Heaters</p>	20 2900 40 00 57 (CA0 10 057)							•			
 <p>Cross Frame Mounting Tray for Boxed Heaters</p>	20 2900 40 00 22 (CA0 10 022)							•			
  <p>Angle Mounting Bracket Mounting Bracket</p>	20 2900 40 00 23 (CA0 10 023) 5540016 (UK0 19 001)	•	•	•	•		•				1 2
   <p>Mounting Bracket Saddle Bracket used with 1 Mounting Bracket (model 25 2217 / 2218 / 2219 / 2257)</p>	20 2900 40 00 85 (CA0 10 085) 25 1864 80 00 01 25 2220 80 00 01							•			1 2 3

Mounting Parts

	Part Number	AIRTRONIC D2	AIRTRONIC D4	B1LC compact	B3LC compact	AIRTRONIC D5	D8LC	HYDRONIC 4/5	HYDRONIC 10 / M	HYDRONIC 16/24/30/35	HYDRONIC M-II
Mounting Bracket for Coolant Pump D24W/D5W (Old style heaters) 	25 1371 25 00 01 (CA0 00 19)									•	
"L" Bracket for HYDRONIC 5 Box only (used with Cross Frame Mounting Bracket CA0 10 022) 	20 2900 40 01 03 (CA0 10 103)							•			
Mounting Bracket 	25 1816 80 00 01							•			
Cargo Bracket Cargo Bracket Support 	20 2900 40 00 34 (CA0 10 034) 20 2900 40 00 35 (CA0 10 035)			•	•						1 2
											
Box Base	20 2900 40 01 01 (CA0 10 101)							•			1
Box Lid	20 2900 40 01 02 (CA0 10 102)							•			1
Box Base with shock mounts	20 2900 40 90 01 (CA0 10 069-001)							•			2
Box Lid	20 2900 40 00 70 (CA0 10 070)							•			2
Hydronic 5 Box Base *	25 2800 40 05 02							•			1
Hydronic 5 Box Lid *	25 2800 40 05 01							•			1
*Also requires:											
Silicone Seal - Exhaust	25 1216 88 03 01							•			
Grommet Harness	20 2900 60 10 61							•			
Grommet Fuel	20 1280 09 01 03							•			

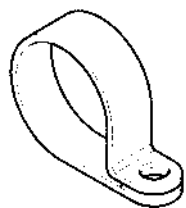
1
1
2
3
4
5

Mounting Parts



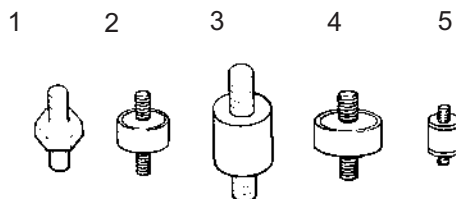
Metal Angle Bracket for Fuel Metering Pump

Part Number	AIRTRONIC D2	AIRTRONIC D4	B1LC compact	B3LC compact	AIRTRONIC D5	D8LC	HYDRONIC 4/5	HYDRONIC 10 / M	HYDRONIC 16/24/30/35	HYDRONIC M-II
20 1348 03 00 02	•	•	•	•	•	•	•	•	•	1
20 1348 03 00 04	•	•	•	•	•	•	•	•	•	2
20 1533 88 00 07	•	•	•	•	•	•	•	•	•	3



- "C" Clamp 10mm
- "C" Clamp 25mm (for 22mm Exhaust/Air Intake)
- "C" Clamp 28mm (for 24mm Exhaust)
- "C" Clamp 34mm (for 30mm Exhaust)
- "C" Clamp 41mm (for large Fuel Metering Pumps)
- "C" Clamp 50mm

152 00 139	•	•	•	•	•	•	•	•	•	
152 10 048	•	•	•	•	•	•	•	•	•	
152 10 051	•	•	•	•	•	•	•	•	•	
152 10 043	•	•	•	•	•	•	•	•	•	
152 10 040	•	•	•	•	•	•	•	•	•	
152 10 047			•	•						



- Metal / Rubber Shock Mounts
- 8mm H, Hex Body
 - 15mm H, Round Body, M8
 - 1inch H, Round Body, 5/16 x 18 NC
 - 20mm H, Round Body, M8
 - 25mm H, Round Body, M6

20 1185 00 00 01	•	•	•	•	•	•	•	•	•	1
330 00 036	•	•	•	•	•	•	•	•	•	2
5540003 (CA0 00 040)							•			3
26 9008 07 00 20	•	•	•	•	•	•	•	•	•	4
20 1609 05 00 04						•				5

Bulk Wiring




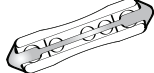


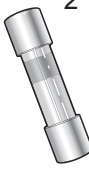


Bulk Wiring

Rolls are available (984 feet/roll)

		Part Number	AIRTRONIC D2	AIRTRONIC D4	B1LC compact	B3LC compact	AIRTRONIC D5	D8LC	HYDRONIC 4/5	HYDRONIC 10 / M	HYDRONIC 16/24/30/35	HYDRONIC M-II	
8ga - 1 Core Brown		(CA1 65 906)	•	•	•	•	•	•	•	•	•		per ft.
8ga - 2 Core Red, Brown	20 2900 70 59 02	(CA1 65 902)	•	•	•	•	•	•	•	•	•		per ft.
10ga - 1 Core Red	5670136	(CA1 61 912)	•	•	•	•	•	•	•	•	•		per ft.
10ga - 1 Core Brown	20 2900 70 59 07	(CA1 65 907)	•	•	•	•	•	•	•	•	•		per ft.
10ga - 2 Core Red, Brown	20 2900 70 59 03	(CA1 65 903)	•	•	•	•	•	•	•	•	•		per ft.
12ga - 2 Core Red, Brown	20 2900 70 59 23	(CA1 65 923)	•	•	•	•	•	•	•	•	•		per ft.
14ga - 2 Core Red, Brown	20 2900 70 59 05	(CA1 65 905)	•	•	•	•	•	•	•	•	•		per ft.
16ga - 2 Core Green, Brown	20 2900 70 09 15	(CA1 70 915)	•	•	•	•	•	•	•	•	•		per ft.
18ga - 2 Core Green, Brown	20 2900 50 59 01	(CA1 75 901)	•	•	•	•	•	•	•	•	•		per ft.
18ga - 3 Core Red, Brown, Yellow	20 2900 70 09 17	(CA1 70 901-001)	•	•	•	•	•	•	•	•	•		per ft.
18ga - 4 Core Red, Brown, Yellow, Blue	20 2900 70 09 13	(CA1 70 913)	•	•	•	•	•	•	•	•	•		per ft.
18ga - 6 Core Red, Brown, Yellow, Blue, Grey, Black	20 2900 70 90 09	(CA1 70 909-001)	•	•	•	•	•	•	•	•	•		per ft.
18ga - 7 Core Red, Brown, Yellow, Blue, Grey, Brown w/white stripe, Grey w/red stripe	20 2900 70 09 14	(CA1 70 914)	•	•	•	•	•	•	•	•	•		per ft.



Fuse Holders, Fuses, Breakers


		Part Number	AIRTRONIC D2	AIRTRONIC D4	B1LC compact	B3LC compact	AIRTRONIC D5	D8LC	HYDRONIC 4/5	HYDRONIC 10 / M	HYDRONIC 16/24/30/35	HYDRONIC M-II
Holder for Ceramic Fuse with 16 AMP Fuse		204 00 099	•	•	•	•	•	•	•	•	•	•
Ceramic 25 AMP Fuse		204 21 009	•	•	•	•	•	•	•	•	•	•
Water-proof Fuse Holder Cover		2199984 (UK0 18 156)	•	•	•	•	•	•	•	•	•	•
Bussman BAF 30 AMP Fuse		5670050 (CA1 04 108)	•	•	•	•	•	•	•	•	•	•
Fuse T6 3 AMP for Thermostat		460 26 001							•	•		1 2
Packard ATC Fuse Holder with Terminals		5670051 (CA1 07 001)	•	•	•	•	•	•	•	•	•	•
Base, Fuse Holder 12033769		20 2900 70 70 17 (CA1 07 008)	•	•	•	•	•	•	•	•	•	•
Cover, Fuse Holder 12033731		20 2900 60 70 09 (CA1 07 009)	•	•	•	•	•	•	•	•	•	•
Terminal 12033997L		5670199 (CA1 90 043)	•	•	•	•	•	•	•	•	•	•
ATC 3 AMP Fuse		5670057 (CA1 07 007)	•	•	•	•	•	•	•	•	•	•
ATC 5 AMP Fuse		204 00 079				•		•				
ATC 10 AMP Fuse		5670056 (CA1 07 006)	•	•	•	•	•	•	•	•	•	•
ATC 15 AMP Fuse		5670053 (CA1 07 002)	•	•	•	•	•	•	•	•	•	•
ATC 20 AMP Fuse		5670055 (CA1 07 005)	•	•	•	•	•	•	•	•	•	•
ATC 25 AMP Fuse		204 00 089	•	•	•	•	•	•	•	•	•	•
ATC 30 AMP Fuse		5670054 (CA1 07 004)	•	•	•	•	•	•	•	•	•	•

Fuse Holders, Fuses, Breakers

		Part Number	AIRTRONIC D2	AIRTRONIC D4	B1LC compact	B3LC compact	AIRTRONIC D5	D8LC	HYDRONIC 4/5	HYDRONIC 10 / M	HYDRONIC 16/24/30/35	HYDRONIC M-II
Breaker 30 Amp (D7WB)		5670059 (CA1 07 101)	•	•	•	•	•	•	•	•	•	
Breaker 25 Amp (D5WB-oldstyle)		5670046 (CA1 04 101)	•	•	•	•	•	•	•	•	•	
Fuse Holder Base		204 31 004	•	•	•	•	•	•	•	•	•	1
Fuse Holder Cover		204 31 005	•	•	•	•	•	•	•	•	•	2
Fuse Holder Kit 5A, 15A, 25A		22 1000 31 06 00 INCLUDES: Fuses and Terminals	•	•	•	•	•	•	•	•	•	
Relay 12 volt (D3L/D12W)		203 00 065						•	•			
Relay 24 volt (D1L/D3L/V7S/D12W)		203 00 066						•	•			

1
1
2
3
4
5

Terminals and Connectors

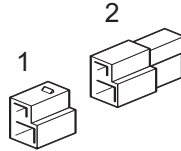
		Part Number	AIRTRONIC D2	AIRTRONIC D4	B1LC compact	B3LC compact	AIRTRONIC D5	D8LC	HYDRONIC 4/5	HYDRONIC 10 / M	HYDRONIC 16/24/30/35	HYDRONIC M-II
10ga - 12ga Female, Tabs	1	5670174 (CA1 90 004)	•	•	•	•	•	•	•	•	•	•
14ga - 18ga Female, Tabs	2	5670173 (CA1 90 003)	•	•	•	•	•	•	•	•	•	•
Terminal Fuse Holder	3	206 73 058	•	•	•	•	•	•	•	•	•	•
Flat Terminal		206 73 016	•	•	•	•	•	•	•	•	•	•
Mini Terminal, AWG 16-20		206 73 052	•	•	•	•	•	•	•	•	•	•
Flat Terminal		5670186 (CA1 90 021)	•	•	•	•	•	•	•	•	•	•
10ga - 12ga Female, No Tabs	4	5670171 (CA1 90 001)	•	•	•	•	•	•	•	•	•	•
14ga - 18ga Female, No Tabs	5	5670172 (CA1 90 002)	•	•	•	•	•	•	•	•	•	•
10ga - 12ga Male	6	5670176 (CA1 90 006)	•	•	•	•	•	•	•	•	•	•
14ga - 18ga Male		5670175 (CA1 90 005)	•	•	•	•	•	•	•	•	•	•
Mini Terminal, AWG 16-20		206 36 018	•	•	•	•	•	•	•	•	•	•
Terminal with Tab, AWG 18		5670206 (CA1 90 059)	•	•	•	•	•	•	•	•	•	•
Terminal with Sensor		5670187 (CA1 90 023)	•	•	•	•	•	•	•	•	•	•
Mini Terminal, AWG 14-18		5670226 (CA1 90 101)	•	•	•	•	•	•	•	•	•	•
Ring Terminal (3/8") AWG 10-12		5670178 (CA1 90 014)	•	•	•	•	•	•	•	•	•	•
Ring Terminal		5670199 (CA1 90 043)	•	•	•	•	•	•	•	•	•	•
Socket AWG 18	2	5670567 (CA1 90 258)									•	1
Socket AWG 14	1	5670268 (CA1 90 259)									•	2
Deutch Connector AWG 18 Pin	3	5670266 (CA1 90 257)									•	3
Seal Plug	2	5670325 (CA1 91 063)									•	4
Socket	1	5670272 (CA1 90 262)									•	1
Connector, Female DTHD-04-18P	2	5670321 (CA1 91 061)									•	2
Connector, Male DTHD-06-18S	3	5670323 (CA1 91 062)									•	3
Deutch Connector Power Pin AWG 10	4	5670270 (CA1 90 261)									•	4

Terminals and Connectors

	Part Number	AIRTRONIC D2	AIRTRONIC D4	B1LC compact	B3LC compact	AIRTRONIC D5	D8LC	HYDRONIC 4/5	HYDRONIC 10 / M	HYDRONIC 16/24/30/35	HYDRONIC M-II
Rubber Boot for Fuel Metering Pump	320 31 120	•	•	•	•	•	•	•	•	•	
Plug and Socket Connector	206 00 040	•	•	•	•	•	•	•	•	•	
Socket Housing, Male 2 Pin "T"	206 00 099	•	•	•	•	•	•	•	•	•	1
Socket Housing, Female 2 Pin "T"	206 31 004	•	•	•	•	•	•	•	•	•	2
Socket Housing, Female 4 Pin	206 31 100	•	•	•	•	•	•	•	•	•	1
Socket Housing, Female 6 Pin	206 31 106	•	•	•	•	•	•	•	•	•	2
Socket Housing, Female 8 Pin	206 31 101	•	•	•	•	•	•	•	•	•	3
Terminal, Male AWG 16-20	206 36 018	•	•	•	•	•	•	•	•	•	4
Socket Housing, Male 4 Pin	206 31 296	•	•	•	•	•	•	•	•	•	1
Socket Housing, Male 6 Pin	206 31 297	•	•	•	•	•	•	•	•	•	2
Socket Housing, Male 8 Pin	206 31 298	•	•	•	•	•	•	•	•	•	3
Terminal, Female AWG 16-20	206 73 052	•	•	•	•	•	•	•	•	•	4

Terminals and Connectors

Socket Housing, Female 2 Pin for Sensor
 Socket Housing, Male 2 Pin for Sensor
 Socket Housing, 2 Pin with Spring (FMP Connection)
 Mini Terminal, Female AWG 16-20
 Socket Housing M Stribel Control
 Plug for 206 31 319 Stribel

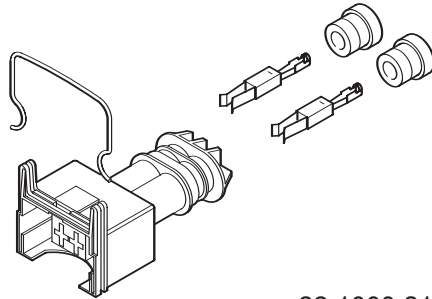


Part Number

206 31 018
 206 31 306
 206 31 290
 206 00 180
 206 31 319
 206 75 042

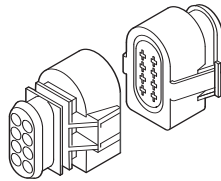
AIRTRONIC D2	AIRTRONIC D4	B1LC compact	B3LC compact	AIRTRONIC D5	D8LC	HYDRONIC 4/5	HYDRONIC 10 / M	HYDRONIC 16/24/30/35	HYDRONIC M-II
•		•							
•	•	•	•						
•	•					•	•	•	
•	•					•	•	•	
							•		
								•	

Fuel Metering Pump Housing Kit
 INCLUDES: terminals and seals.



22 1000 31 87 00

Hydronic 4/5 Main harness connector Kit

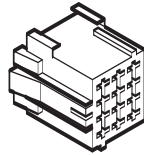


22 1000 30 10 21

1
1
2
3
4
5

Terminals and Connectors

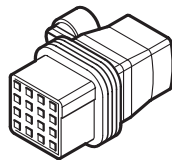
7 day timer 12 pin connector



Mini terminal, female AwG 16-20



Hydronic M square connection



Part Number

206 31 293

206 00 180

22 1000 31 93 00

AIRTRONIC D2	AIRTRONIC D4	B1LC compact	B3LC compact	AIRTRONIC D5	D8LC	HYDRONIC 4/5	HYDRONIC 10 / M	HYDRONIC 16/24/30/35	HYDRONIC M-II
•	•	•	•	•	•	•	•	•	•
•	•	•	•	•	•	•	•	•	•
									•

Power Converters 12V to 24V



12V to 24V Power Converter Asmbly 3401
 12V to 24V Power Harness for 5673401
 Power Converter 12 - 24 488W

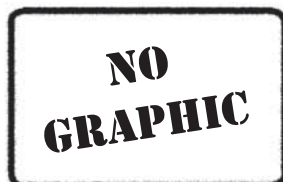
25 2800 90 12 23
 25 2800 70 16 01
 5673601



12V to 24V Power Converter Asmbly 3601
 12V to 24V Power Harness for 5673601
 Power Converter 12 - 24 288W

25 2800 90 1224
 25 2800 70 16 00
 5673401

40 AMP Fuse
 Heat sink



5670024
 20 2900 40 00 04

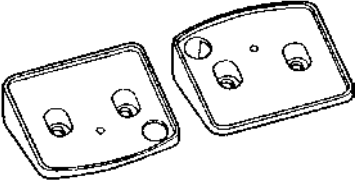
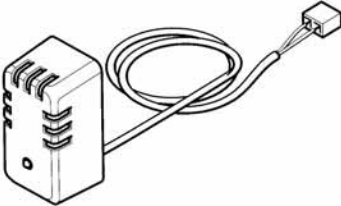
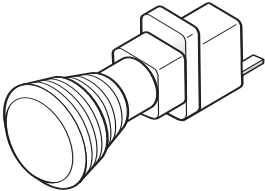

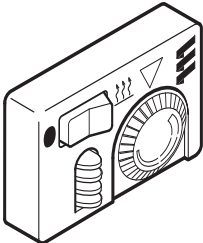
1
1
2
3
4
5

Control Options and Timers

	Part Number	AIRTRONIC D2	AIRTRONIC D4	B1LC compact	B3LC compact	AIRTRONIC D5	D8LC	HYDRONIC 4/5	HYDRONIC 10 / M	HYDRONIC 16/24/30/35	HYDRONIC M-II
Rheostat Switch 12 volt	25 1895 71 00 00	•	•	•	•	•	•				
Rheostat Switch 24 volt	25 1896 71 00 00	•	•	•	•	•					
Thermostat Switch Harness (4.6M or 15 feet)	20 2900 70 01 11 (CA1 70 111)	•	•	•	•						
Universal Switch for D1L											
Mini Timer (Green Display) 12 and 24 volt	22 1000 31 60 00							•	•	•	•
Mini Timer (Blue Display) 12 and 24 volt	22 1000 32 18 00							•	•	•	•
Thermostat 12 volt	5670097 (301 00 154)	•	•	•	•	•					
Thermostat 24 volt	5670096 (301 00 153)	•	•	•	•	•					
Thermostat Harness (4.6M or 15 feet)	20 2900 70 01 09 (CA1 70 109)			•		•					
Knob	2199981										
Thermostat Bunk Relay Kit 12 volt	20 2900 70 00 97 (CA1 00 097)								•		
Thermostat only (On/Off)	2199982 (301 00 135)	•	•	•	•	•	•	•	•	•	•
Mini Controller 12 and 24 volt	22 1000 32 07 00	•	•			•					
Mini Controller Knob	5699849	•	•			•					
Digi Controller	20 2800 70 1000	•	•			•					

1
1
2
3
4
5

Control Options and Timers

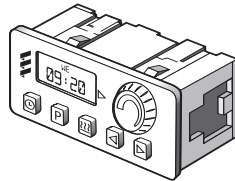
	Part Number	AIRTRONIC D2	AIRTRONIC D4	B1LC compact	B3LC compact	AIRTRONIC D5	D8LC	HYDRONIC 4/5	HYDRONIC 10 / M	HYDRONIC 16/24/30/35	HYDRONIC M-II
 <p>Console for Mini Controller 12 and 24 volt</p>	22 1000 50 08 00	•	•								
 <p>Remote Sensor Extension Harness for D1LC (1830) and D3LC</p>	25 1774 89 03 00 25 1482 89 40 00	•	•	•	•		•				
 <p>Push / Pull Switch 12 volt Push / Pull Switch 24 volt Replacement Bulb 12 volt Replacement Bulb 24 volt</p>	5670007 (CA1 00 003) 5670008 (CA1 00 004) 207 00 005 207 00 006	•	•	•	•	•	•	•	•	•	•
 <p>Remote Starter Kit 12 volt (used with 7-Day Timer) Remote Starter Kit 12 volt (used with Push/Pull Switch, Thermostat and Rheostat) Remote Starter Transmitter</p>	20 2900 70 01 50 (CA1 00 150) 20 2900 70 01 56 (CA1 00 156) 5670036	•	•	•	•	•	•	•	•	•	•
 <p>Mini Controller without Temperature Sensor 12 and 24 volt</p>	22 1000 30 66 00			•	•	•	•				

1
1
2
3
4
5

Control Options and Timers

AIR HEATERS

7-Day Timer with Diagnostics 12 and 24 volt
7-Day Timer Kit

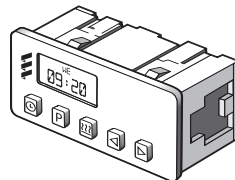


Part Number

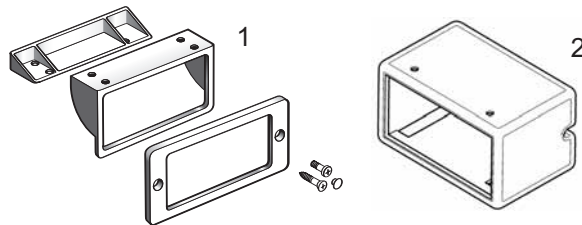
22 1000 30 40 00
20 2900 70 02 35

COOLANT HEATERS

7-Day Timer with Diagnostics 12 and 24 volt
7-Day Timer Kit



22 1000 30 36 00
20 2900 70 02 30



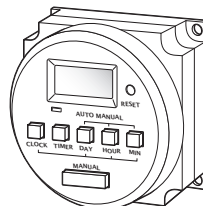
7-DAY TIMER ACCESSORIES

Complete Bracket Kit with Cosmetic Bezel and Bracket
Housing for 7-Day Timer
Replacement Bulbs 12 volt (5/bag)
Replacement Bulbs 24 volt (5/bag)

25 1482 70 01 00
25 1482 89 00 15
22 1000 30 88 00
22 1000 30 89 00

Programmable Timer

12 V
24 V

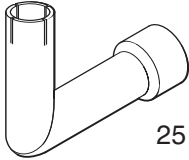
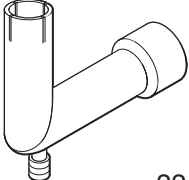
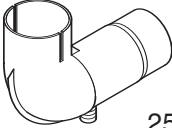

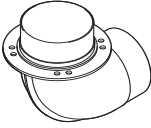


5670100
5670099

	AIRTRONIC D2	AIRTRONIC D4	B1LC compact	B3LC compact	AIRTRONIC D5	D8LC	HYDRONIC 4/5	HYDRONIC 10 / M	HYDRONIC 16/24/30/35	HYDRONIC M-II
22 1000 30 40 00	•	•	•	•	•	•				
20 2900 70 02 35	•	•	•	•	•	•				
22 1000 30 36 00							•	•	•	•
20 2900 70 02 30							•	•	•	•
25 1482 70 01 00	•	•	•	•	•	•	•	•	•	• 1
25 1482 89 00 15	•	•	•	•	•	•	•	•	•	• 2
22 1000 30 88 00										
22 1000 30 89 00										
5670100							•	•	•	•
5670099							•	•	•	•

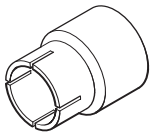
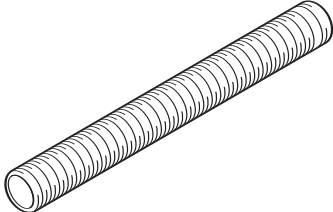
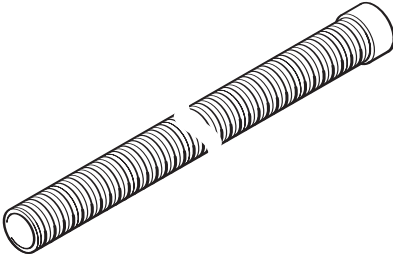
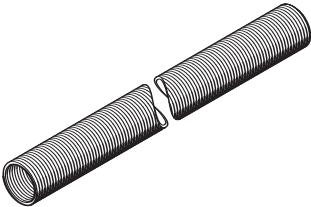
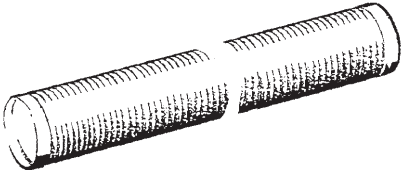
1
1
2
3
4
5

Exhaust

	Part Number	AIRTRONIC D2	AIRTRONIC D4	B1LC compact	B3LC compact	AIRTRONIC D5	D8LC	HYDRONIC 4/5	HYDRONIC 10 / M	HYDRONIC 16/24/30/35	HYDRONIC M-II
Elbow (with 30mm flex exhaust)	 25 1226 89 55 00	•	•	•	•	•		•			
<p>NOTE: Exhaust drain, part number 25 8547 16 02 00 OR Drain closure ball, part number CA0 00 026 are NOT included with Elbow / Drain. MUST BE ORDERED SEPARATELY.</p>											
Elbow / Drain (with 30mm flex exhaust) di=30mm	 22 1050 89 39 00	•	•	•	•	•					
Elbow / Drain (with 24mm flex exhaust) di=24mm	25 1226 89 45 00	•	•	•	•	•					
<p>NOTE: Does NOT include Drain closure ball, part number CA0 00 026 MUST BE ORDERED SEPARATELY.</p>											
90° Exhaust Pipe, di=42mm, da=40mm or 42mm	 25 1226 89 46 00						•				
Exhaust Drain (M10x1)	 25 8547 16 02 00	•	•	•	•	•	•	•	•	•	
Exhaust Elbow (with exhaust)	 22 1000 40 03 00									•	

1
2
3
4
5

Exhaust

	Part Number	AIRTRONIC D2	AIRTRONIC D4	B1LC compact	B3LC compact	AIRTRONIC D5	D8LC	HYDRONIC 4/5	HYDRONIC 10 / M	HYDRONIC 16/24/30/35	HYDRONIC M-II	
 Straight Exhaust Fitting (24-30mm)	25 1520 80 01 01	•	•	•	•							
Straight Exhaust Fitting (30-28mm)	25 1226 89 00 28	•	•	•	•	•		•				
Straight Exhaust Fitting (30-26mm)	25 1226 89 00 29	•	•	•	•	•		•				
 Flexible Stainless Steel Exhaust 24mm (1.3 mtr)	360 61 557	•	•	•	•	•		•				each
 Exhaust Flex Hose 30mm x 1.3M with end cap	25 1816 80 08 00								•			
 Flexible Stainless Steel Exhaust 40mm (when elbow is used)	5530012 (WG4 40 000)							•				per mtr
Flexible Stainless Steel Exhaust 42mm (direct connect)	5530013 (WG4 42 000)							•				per mtr
Exhaust Flex Hose 24mm (one layer)	360 61 550	•	•	•	•	•						per mtr
Exhaust Flex Hose 30mm (one layer)	360 61 580	•	•	•	•	•			•			per mtr
Exhaust Flex Hose 30mm (two layers)	360 61 300	•	•	•	•	•			•			per mtr
 Flexible Stainless Steel Exhaust 70mm (direct connect)	5530015 (WG4 70 000)								•			per mtr

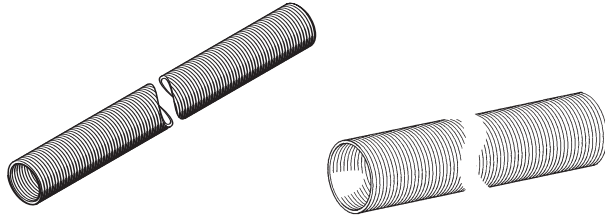
1
1
2
3
4
5

Exhaust

	Part Number	AIRTRONIC D2	AIRTRONIC D4	B1LC compact	B3LC compact	AIRTRONIC D5	D8LC	HYDRONIC 4/5	HYDRONIC 10 / M	HYDRONIC 16/24/30/35	HYDRONIC M-II
Exhaust End Cap for 24mm	25 1482 80 00 01	•	•	•	•	•		•			
Plastic Air Intake End Cap with Crossbar 20mm	25 1688 80 12 01			•				•			
Exhaust End Cap with Crossbar 24mm	25 1729 80 06 00	•	•	•	•	•		•			
Plastic Air Intake End Cap with Crossbar 25mm	25 1729 89 00 02	•	•		•	•					
Exhaust End Cap with Crossbar 30mm	25 1785 80 02 00								•		
Exhaust End Cap with Crossbar 46mm	22 1000 40 02 00						•				
Exhaust Clamp for 70mm	5530004 (CA1 10 043-001)									•	
Exhaust Connection with Drain	25 1226 89 59 00							•	•		
Clamp for Exhaust Pipe 26mm	152 61 102			•	•	•		•			
Clamp for Exhaust Pipe 27mm-30mm	152 10 060								•		
Clamp for Exhaust Pipe 30mm-33mm	152 10 061								•		
Clamp for Exhaust Pipe 32mm-50mm	10 2064 03 20 50						•				

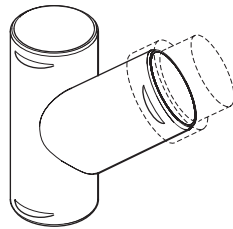


Ducting



Part Number

		AIRTRONIC D2	AIRTRONIC D4	B1LC compact	B3LC compact	AIRTRONIC D5	D8LC	HYDRONIC 4/5	HYDRONIC 10 / M	HYDRONIC 16/24/30/35	HYDRONIC M-II	
Flexible Hose (50mm or 2.0")	5550006 (CA2 00 002)	•	•	•	•	•	•					per ft.
Flexible Hose (75mm or 3.0")	5550007 (CA2 00 003)	•	•	•	•	•	•					per ft.
Flexible Hose (100mm or 4.0")	5550008 (CA2 00 004)	•	•	•	•	•	•					per ft.
Flexible Air Hose (aluminum, paper, plastic) (50mm or 2.0")	10 2114 29 00 00	•	•	•	•	•	•					per mtr.
Flexible Air Hose (aluminum, paper, plastic) (60mm or 2.4")	10 2114 31 00 00	•	•	•	•	•	•					per mtr.
Flexible Air Hose (aluminum, paper, plastic) (75mm or 3.0")	10 2114 34 00 00	•	•	•	•	•	•					per mtr.
Flexible Air Hose (aluminum, paper, plastic) (90mm or 3.5")	10 2114 37 00 00	•	•	•	•	•	•					per mtr.

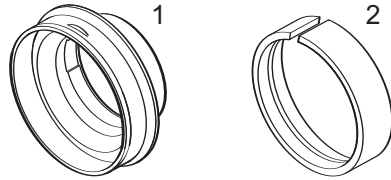


Plastic "Y" Connector (75mmx75mmx75mm or 3"x3"x3")	25 1226 89 00 44	•	•	•	•	•	•					
Plastic "Y" Connector (100mmx100mmx100mm or 4"x4"x4")	25 1226 89 00 45		•	•	•	•	•					
Plastic "Y" Connector (60mmx50mmx50mm or 2.4"x2"x2")	25 1688 89 00 03			•								
Plastic "Y" Connector (60mmx60mmx60mm or 2.4"x2.4"x2.4")	25 1774 89 00 05	•		•								
Plastic "Y" Connector (90mmx90mmx90mm or 3.5"x3.5"x3.5")	22 1000 01 00 21											

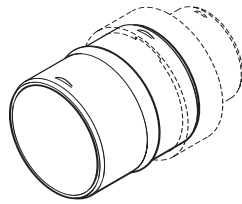


Plastic Reducer for "Y" or Ducting Union (75-50mm or 3"-2")	25 1226 89 00 46	•	•	•	•	•	•					
Plastic Reducer for "Y" or Ducting Union (100-75mm or 4"-3")	25 1226 89 00 47	•	•	•	•	•	•					
Plastic Reducer for "Y" or Ducting Union (100-50mm or 4"-2")	25 1226 89 00 48	•	•	•	•	•	•					
Plastic Reducer for "Y" or Ducting Union (75-60mm or 3"-2.4")	25 1226 89 00 50	•	•	•	•	•	•					

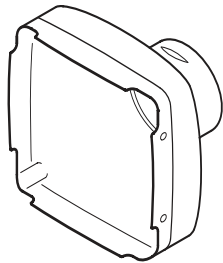
Ducting



	Part Number	AIRTRONIC D2	AIRTRONIC D4	B1LC compact	B3LC compact	AIRTRONIC D5	D8LC	HYDRONIC 4/5	HYDRONIC 10 / M	HYDRONIC 16/24/30/35	HYDRONIC M-II
Hood Adapter (60-75mm or 2.4"-3")	25 1688 89 00 10	•		•							1
Hood Adapter (90-100mm or 3.5"-4") black plastic	20 1607 80 00 01		•		•	•					2
Hood Adapter (100mm or 4")	20 2900 50 20 02 (CA2 02 002)		•		•	•					2



	Part Number	AIRTRONIC D2	AIRTRONIC D4	B1LC compact	B3LC compact	AIRTRONIC D5	D8LC	HYDRONIC 4/5	HYDRONIC 10 / M	HYDRONIC 16/24/30/35	HYDRONIC M-II
Ducting Union (60-60mm)	22 1000 01 00 05	•	•	•	•	•	•				
Ducting Union (75-75mm)	22 1000 01 00 06	•	•	•	•	•	•				
Ducting Union (90-90mm)	22 1000 01 00 24	•	•	•	•	•	•				
Ducting Union (100-100mm)	22 1000 01 00 07	•	•	•	•	•	•				



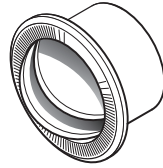
	Part Number	AIRTRONIC D2	AIRTRONIC D4	B1LC compact	B3LC compact	AIRTRONIC D5	D8LC	HYDRONIC 4/5	HYDRONIC 10 / M	HYDRONIC 16/24/30/35	HYDRONIC M-II
Straight Air Outlet Hood (60mm)	22 1000 01 00 16	•									
Straight Air Outlet Hood (75mm)	22 1000 01 00 17	•									
Straight Air Outlet Hood (75mm)	22 1000 01 00 18		•								
Straight Air Outlet Hood (90mm)	22 1000 01 00 19		•								
Straight Air Outlet Hood (60mm)	25 1688 80 03 00			•							
Straight Air Outlet Hood (75mm)	25 1688 89 02 00			•							
Straight Air Outlet Hood (75mm)	25 1822 80 01 00				•						
Straight Air Outlet Hood (90mm)	25 1822 89 01 00				•						
Complete Rear Air Outlet Hood (90mm)	25 1729 01 09 00					•					

1
1
2
3
4
5

Ducting

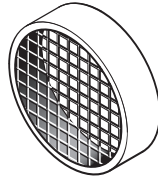
	Part Number	AIRTRONIC D2	AIRTRONIC D4	B1LC compact	B3LC compact	AIRTRONIC D5	D8LC	HYDRONIC 4/5	HYDRONIC 10 / M	HYDRONIC 16/24/30/35	HYDRONIC M-II
 Deflector (60mm or 2.4") Deflector (50mm or 2")	20 1577 89 06 00	•	•	•	•	•					
	20 1575 80 08 00	•	•	•	•	•	•				
 Adjustable Grille (75-100mm or 3-4") Adjustable Grille (90-100mm or 3.5-4")	22 1050 89 21 00	•	•	•	•	•	•	•	•	•	
	20 1609 80 09 00		•		•	•					
 Hose Flange for Outlet Grille for Duct Size 50mm (2") Hose Flange for Outlet Grille for Duct Size 60mm (2.4") Hose Flange for Outlet Grille for Duct Size 75mm (3") Hose Flange for Outlet Grille for Duct Size 90mm (3.5") Hose Flange for Outlet Grille for Duct Size 100mm (4")	20 1575 80 08 01	•	•	•	•	•	•				
	20 1577 89 06 01	•	•	•	•	•	•				
	25 1226 89 00 12	•	•	•	•	•	•	•			
	20 1297 00 00 01	•	•	•	•	•	•	•			
	25 1226 89 00 40	•	•	•	•	•	•	•			
 Black Open Screen (60mm or 2.4") Black Open Screen (90mm or 3.5") Black Open Screen (140mm or 5.25") Nickel Plated Open Screen (140mm or 5.25")	22 1000 01 00 01	•	•	•	•	•					
	20 1465 89 05 00	•	•	•	•	•					
	25 1729 89 00 05	•	•	•	•	•					
	25 1226 89 05 00	•	•	•	•	•					

Ducting

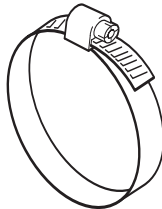


Part Number

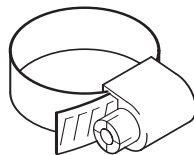
	Part Number	AIRTRONIC D2	AIRTRONIC D4	B1LC compact	B3LC compact	AIRTRONIC D5	D8LC	HYDRONIC 4/5	HYDRONIC 10 / M	HYDRONIC 16/24/30/35	HYDRONIC M-II
French Closeable Outlet with Flange (50mm or 2" Ducting)	2199985 (UK0 13 110)	•	•	•	•	•	•				
French Closeable Outlet with Flange (75mm or 3" Ducting)	330 31 311	•	•	•	•	•	•				
French Closeable Outlet with Flange (100mm or 4" Ducting)	2199986 (UK0 13 099)	•	•	•	•	•	•				



Air Inlet Safety Screen (60mm or 2.4")	25 1688 80 06 00	•		•							
Air Inlet Safety Screen (75mm or 3")	25 1552 05 01 00	•	•		•						
Air Inlet Safety Screen (90mm or 3.5")	25 1729 80 00 01		•		•	•					
Air Inlet Safety Screen (100mm or 4")	25 1226 89 44 00						•				



Stainless Steel Hose Clamp 33-57mm (50mm or 2" Ducting)	5550001 (CA1 10 040)	•	•	•	•	•	•				
Stainless Steel Hose Clamp 46-70mm (60mm or 2.4" Ducting)	5550004 (CA1 10 047)			•	•	•	•				
Stainless Steel Hose Clamp 59-83mm (75mm or 3" Ducting)	5550002 (CA1 10 041)	•	•	•	•	•	•				
Stainless Steel Hose Clamp 84-108mm (100mm or 4" Ducting)	5550003 (CA1 10 042)			•	•	•	•				



Ducting Clamp 70-90mm (pump 25 1578 25)	10 2065 07 00 90										•
Ducting Clamp 90-110mm (pump 25 1371 89 34 00)	10 2065 09 01 10										•
Ducting Clamp 32-50mm	10 2064 03 20 50	•	•	•	•	•	•	•	•	•	•
Ducting Clamp 33-57mm	5550001 (CA1 10 040)	•	•	•	•	•	•	•	•	•	•

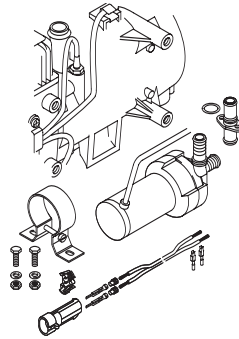
Ducting

	Part Number	AIRTRONIC D2	AIRTRONIC D4	B1LC compact	B3LC compact	AIRTRONIC D5	D8LC	HYDRONIC 4/5	HYDRONIC 10 / M	HYDRONIC 16/24/30/35	HYDRONIC M-II
Air Intake Silencer (75mm or 3") Air Intake Silencer (100mm or 4")	25 1226 89 15 00	•	•	•	•						
	25 1226 89 56 00		•		•	•	•				
Combustion Air Intake Flex Hose 30mm ID End Cap	10 2114 25 00 00							•			
	25 1480 89 04 00							•			per mtr
Defrosting Nozzle 50mm ID	25 1226 89 21 00	•	•	•	•	•	•				
Plastic "T" Piece 60mmx60mmx60mm or 2.4"x2.4"x2.4" Metal "T" Piece 75mmx75mmx75mm or 3"x3"x3"	25 1688 89 00 02	•		•							
	25 1482 89 07 00	•	•	•	•	•	•				
Plastic "Y" Piece D=60mm, d=50mm Metal "Y" Piece D=75mm, d=50mm	25 1688 89 00 03	•		•							
	25 1482 80 08 00	•	•	•	•	•	•				

1
1
2
3
4
5

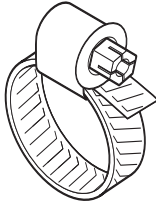
Plumbing

Conversion Kit for Water Pump



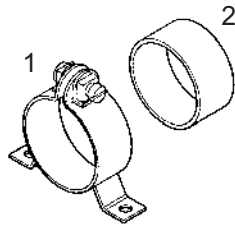
22 1000 10 01 00

Clamp 16-25mm ID
Clamp 20-32mm ID



10 2064 01 60 25
10 2065 02 00 32

Pump Clamp 48mm
Rubber Ring for Large FMP



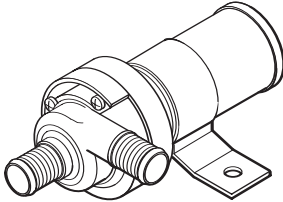
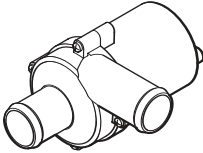
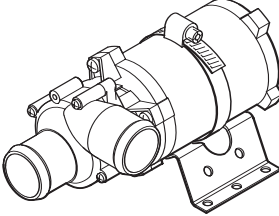
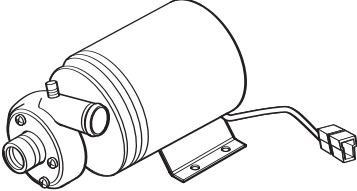
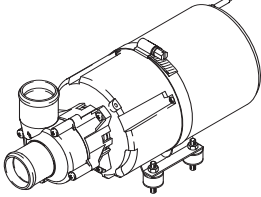
22 1000 50 10 00
20 1449 00 10 01

Part Number

AIRTRONIC D2	AIRTRONIC D4	B1LC compact	B3LC compact	AIRTRONIC D5	D8LC	HYDRONIC 4/5	HYDRONIC 10 / M	HYDRONIC 16/24/30/35	HYDRONIC M-II
							•		
•	•	•	•	•	•	•	•	•	
•	•	•	•	•	•	•	•	•	•
						•	•		1
						•			2

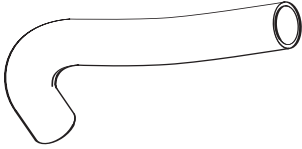
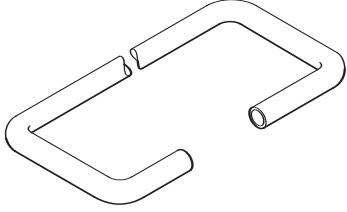
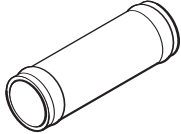

1
1
2
3
4
5

Plumbing

		Part Number	AIRTRONIC D2	AIRTRONIC D4	B1LC compact	B3LC compact	AIRTRONIC D5	D8LC	HYDRONIC 4/5	HYDRONIC 10 / M	HYDRONIC 16/24/30/35	HYDRONIC M-II
Coolant Pump (700 L/hr) 12 volt Coolant Pump (700 L/hr) 24 volt		25 1815 25 01 00 25 1816 25 01 00								• •		
Coolant Pump (800 L/hr) 12 volt Coolant Pump (900 L/hr) 24 volt		330 00 012 25 2009 25 00 00							• •			
Coolant Pump (5000 L/hr) 24 volt		25 1578 25 00 00									•	
High Capacity Pump 12 volt (2280 L/hr) High Capacity Pump 24 volt (2280 L/hr)		20 2900 60 01 39 (CA1 00 139) 20 2900 70 01 40 (CA1 00 140)								• •		
Flowtronic Coolant Pump 24 volt (6000 L/hr)		25 1818 27 00 00									•	

1
1
2
3
4
5

Plumbing

	Part Number	AIRTRONIC D2	AIRTRONIC D4	B1LC compact	B3LC compact	AIRTRONIC D5	D8LC	HYDRONIC 4/5	HYDRONIC 10 / M	HYDRONIC 16/24/30/35	HYDRONIC M-II
 90° Hose Bend 20mm x 0.29 mtr 90° Hose Bend 1.5" ID	20 2900 60 10 23 (CA0 11 023) 5560001 (CA0 00 024)								•		
 180° Coolant Hose 18mm, L = 2000mm 180° Coolant Hose 20mm, L = 2000mm	20 1690 81 00 01 25 1917 80 00 01							•	•		
 Brass Hose Connector d= 15mm Brass Hose Connector d= 18mm Brass Hose Connector d= 20mm Brass Hose Connector d= 22mm Steel Hose Connector (1:1 inch)	20 1533 88 00 03 20 1528 88 00 03 20 1534 88 00 01 20 1645 89 00 07 20 2900 60 10 22 (CA0 11 022)							•	•		
 Coolant Hose 1.5" 1mt piece	20 2900 60 10 39							•			

Testers / Adapters / Special Tools

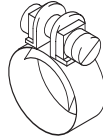
	Part Number	AIRTRONIC D2	AIRTRONIC D4	B1LC compact	B3LC compact	AIRTRONIC D5	D8LC	HYDRONIC 4/5	HYDRONIC 10 / M	HYDRONIC 16/24/30/35	HYDRONIC M-II
 <p>Brass Glow Plug Brush</p>	5590002 (CA0 05 003)			•	•	•	•	•	•		
 <p>Fuel Line Cutter</p>	5520003 (CA0 05 001)	•	•	•	•	•	•	•	•	•	
 <p>Terminal Removal Tool 1.6mm Terminal Removal Tool 2.8mm</p>	206 00 205 206 00 215							•	•	•	1 2
 <p>Wire Crimper</p>	5670003 (CA0 05 002)	•	•	•	•	•	•	•	•	•	
 <p>AIRTRONIC D2 Demo Kit 12 volt</p>	20 2820 69 02 83 (CA 2069 83)										

1
1
2
3
4
5

Fuel System

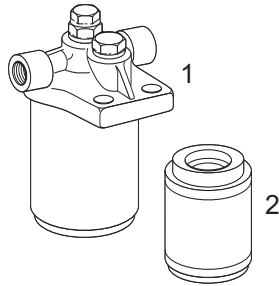
Part Number

- Clamp 7mm (used with 360 75 300)
- Clamp 9mm (used with 360 75 300)
- Clamp 10mm (used with 360 75 350)
- Clamp 11mm (used with 360 75 350)
- Clamp 12mm (used with 360 31 070)
- Clamp 14mm



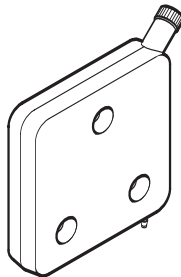
AIRTRONIC D2	AIRTRONIC D4	B1LC compact	B3LC compact	AIRTRONIC D5	D8LC	HYDRONIC 4/5	HYDRONIC 10 / M	HYDRONIC 16/24/30/35	HYDRONIC M-II
•	•	•	•	•	•	•	•	•	•
•	•	•	•	•	•	•	•	•	•
•	•	•	•	•	•	•	•	•	•
•	•	•	•	•	•	•	•	•	•
•	•	•	•	•	•	•	•	•	•
•	•	•	•	•	•	•	•	•	•

- Fuel Filter
- Fuel Screen



330 00 052	•	1
20 2900 20 20 64 (CA0 12 064)	•	2

- Plastic Fuel Tank (10L or 2.6 gal - Black)
- Plastic Cap



22 1000 20 21 00	•	•	•	•	•	•	•	•	•
22 1000 20 22 00	•	•	•	•	•	•	•	•	•

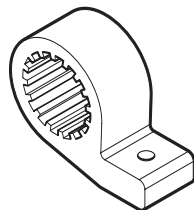
- Plastic Fuel Filter



25 1226 89 00 37	•	•	•	•	•	•	•	•	•
------------------	---	---	---	---	---	---	---	---	---

1
1
2
3
4
5

Fuel System



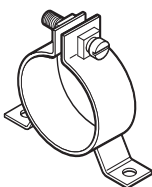
Part Number

Clamp 34mm for Fuel Metering Pump
 FMP Holder for Noise Reduction (small pumps)
 FMP Holder for Noise Reduction (large pumps)

152 00 144
 22 1000 50 03 00
 22 1000 50 07 00

AIRTRONIC D2	AIRTRONIC D4	B1LC compact	B3LC compact	AIRTRONIC D5	D8LC	HYDRONIC 4/5	HYDRONIC 10 / M	HYDRONIC 16/24/30/35	HYDRONIC M-II
--------------	--------------	--------------	--------------	--------------	------	--------------	-----------------	----------------------	---------------

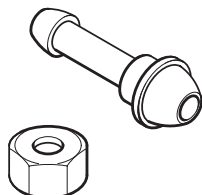
•	•	•	•	•		•			
•	•	•	•	•		•			
•	•	•	•				•		



Fuel Metering Pump Holder

25 1156 20 00 11

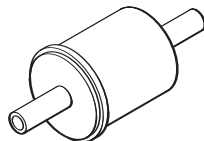
						•	•		
--	--	--	--	--	--	---	---	--	--



Fuel Connector Nipple and Nut

20 2900 20 20 71 (CA0 12 071)

								•	
--	--	--	--	--	--	--	--	---	--



Plastic Fuel Filter (installed in front of fuel metering pump)

25 1156 20 00 09

•	•	•	•	•	•	•	•	•	•
---	---	---	---	---	---	---	---	---	---



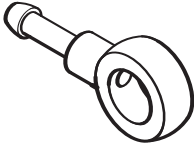
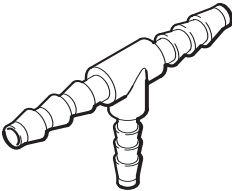
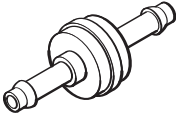
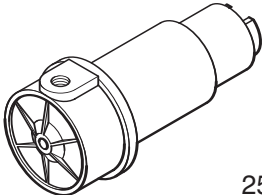
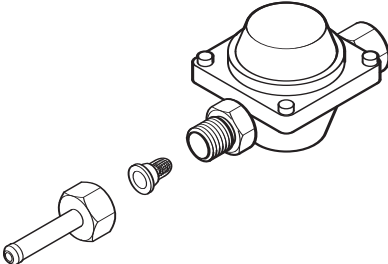
FMP Bracket

20 2900 40 01 04

•	•			•					
---	---	--	--	---	--	--	--	--	--

1
1
2
3
4
5

Fuel System

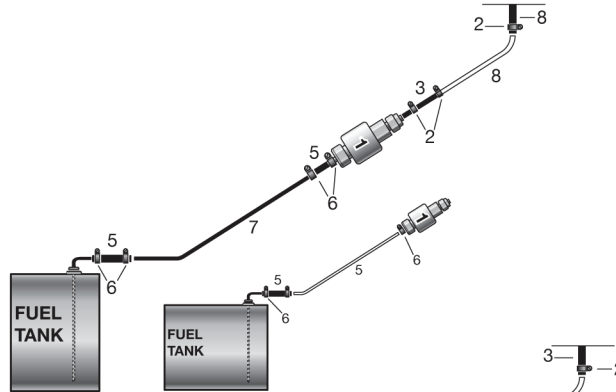
	Part Number	AIRTRONIC D2	AIRTRONIC D4	B1LC compact	B3LC compact	AIRTRONIC D5	D8LC	HYDRONIC 4/5	HYDRONIC 10 / M	HYDRONIC 16/24/30/35	HYDRONIC M-II
 Bango fitting 8mm Bango fitting 10mm Bango fitting 14mm Bango washer 10mm	25 1352 88 00 05 26310085 25 1373 88 03 00 32316014									• • •	
 Fuel T-piece d=4mm, D=8mm Fuel T-piece d=6mm, D=6mm Fuel T-piece d=6mm, D=8mm Fuel T-piece d=6mm, D=10mm Fuel T-piece d=6mm, D=12mm	262 31 155 262 31 150 262 31 151 262 31 152 262 31 153		•	•	•	•	•	•	•	•	•
 One Way Check Valve 6mm One Way Check Valve 8mm	244 31 060 244 31 061	•	•	•	•	•	•	•	•	•	•
 Auxiliary fuel Pump 12 volt 2.5m suction Auxiliary fuel Pump 24 volt 2.5m suction	25 1226 89 82 00 25 1226 89 83 00	•	•	•	•	•	•	•	•	•	•
 Pressure Reducer	22 1000 20 08 00	•	•	•	•	•	•	•	•	•	•

Fuel System Guide

This guide is to help in selecting which size fuel line, rubber hose and clamps are required for a specific heating system. Refer to the Fuel System section of this manual for specific part numbers.

Cross-reference this information with the corresponding heater manual for maximum height and length specifications.

AIRTRONIC 2
AIRTRONIC 4
B1LC compact
B3LC compact
D/B5LC

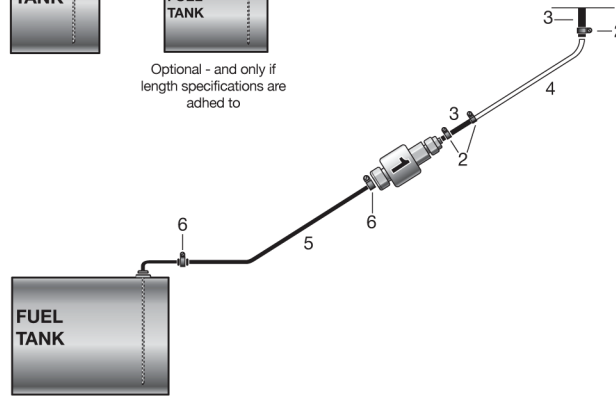


Optional - and only if length specifications are adhered to

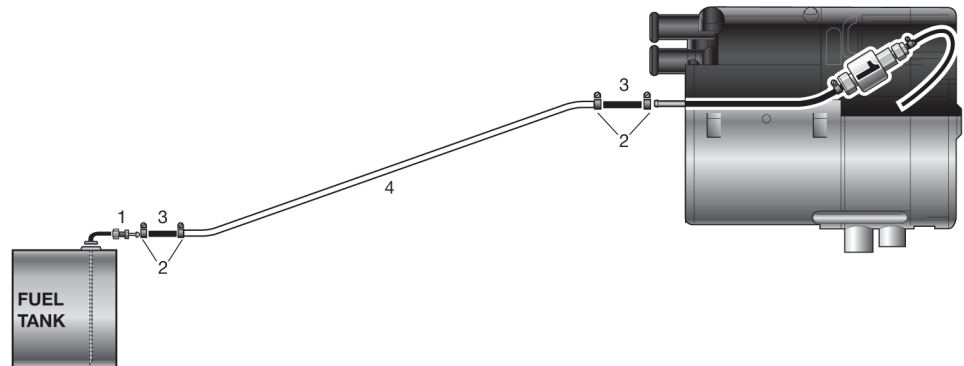
LEGEND

1. Fuel Pipe Reducer
2. Clamp 9mm
3. Rubber Connector 3.5mm
4. White Plastic Fuel Line 2.0mm
5. Rubber Connector / Fuel Line 5.0mm
6. Clamp 11mm
7. Black Plastic Fuel Line 2.0mm
8. White Plastic Fuel Line 1.5mm

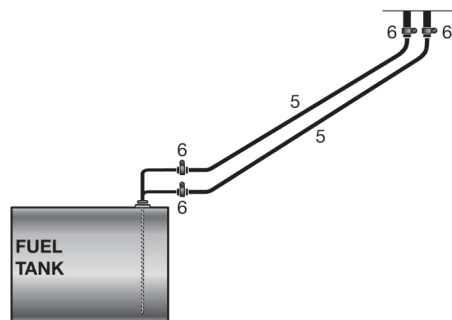
D8LC
HYDRONIC 10



HYDRONIC 4
HYDRONIC 5



HYDRONIC 16
HYDRONIC 24
HYDRONIC 30
HYDRONIC 35



Ducting Rating Guide

General Tips on Heating Air Ducting and Component Ratings

A heater has the biggest heating air throughput when it can operate with the air blowing freely. Heating air ducting components reduce the throughput. To enable you to check whether or not the installation you plan reduces the air throughput to an inadmissible degree, we have calculated a heater rating for each heater and a component rating for each heating air ducting component:

- 0 = no temperature increase
- = no component rating

The sum of component ratings for the heating air ducting components must not exceed the heater rating, otherwise the outlet temperature will become too high and trigger the safety cutout switch. If the sum of the component ratings exceeds the heater rating, it can be reduced by selecting a larger diameter for the air ducting parts.

Rule of Thumb:

Double the cross-section or two identical components running parallel = 1/4 of the rating.

Example:

50 diameter hose

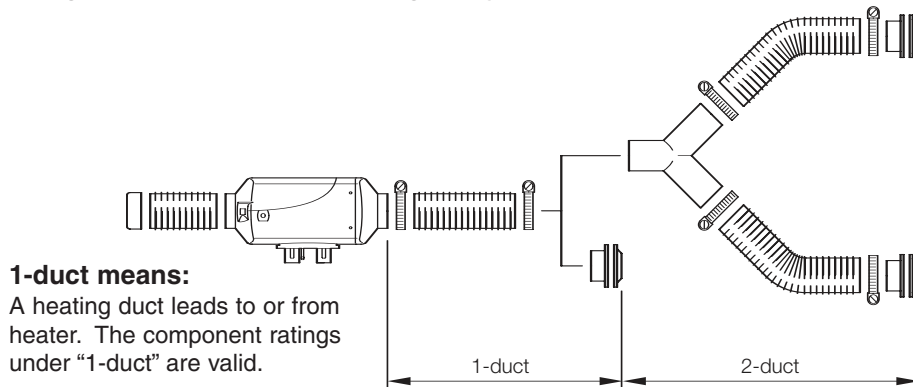
A = 19.6 cm², R rating 1.0

75 diameter hose

A = 44.2 cm², R rating 0.25

The component rating of smooth welded pipes is only half that of flexible pipe of equal diameter (e.g. double the pipe length).

Main-line Drawing for 1-duct and 2-duct Heating Air System



1-duct means:

A heating duct leads to or from heater. The component ratings under "1-duct" are valid.

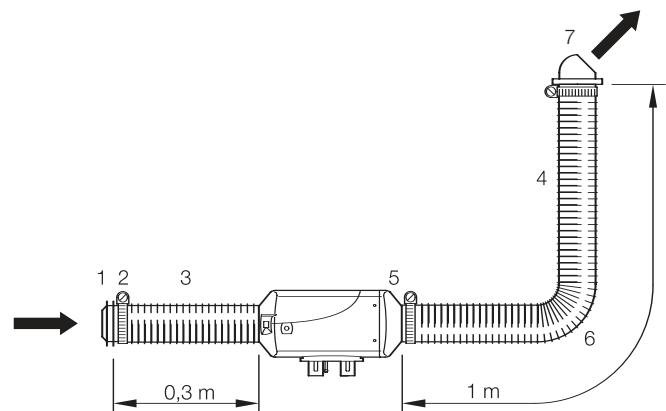
2-duct means:

The heating air line branches into two ducts after the heater. Up to the branch the component ratings under "1-duct" are valid, after the branch they fall under "2-duct". If an adjustable outlet is used in the 2-duct heating system, one duct must be unclosable. Note: When determining the sum of the component ratings, do not take the closable duct into consideration.

Example of Heating Air Ducting for AIRTRONIC D2

Heater Rating = 6

Item	Designation	Component Rating
1	Protective grille	1.7
2	Connection piece 60mm dia.	
3	Flex. pipe, 60mm dia. 0.3m long	0.3
4	Flex. pipe, 60mm dia, 1.0m long	1.0
5	Reduction hood 60mm straight	0
6	1 x 90° bends of flex. pipe	1.2
7	Swivel outlet	1.4
Total Component Rating		5.6

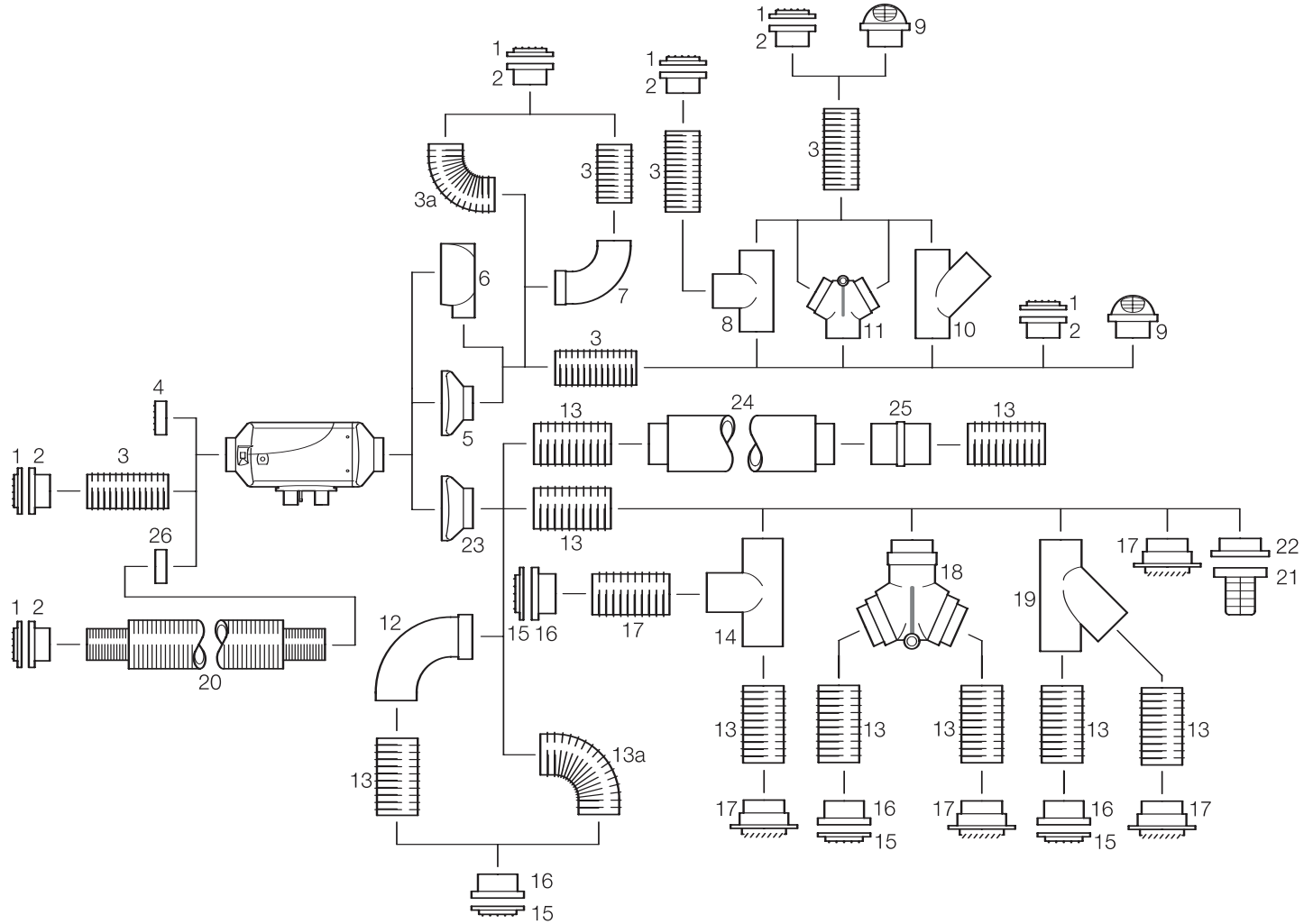


Rating sum = 5.6 and does not exceed the heater rating of 6. The installation is permissible.

Ducting Rating Guide for AIRTRONIC D2

Heater Rating 6 - applies with a 60mm dia. outlet hood.
 Heater Rating 12 - applies with a 75mm dia. outlet hood

The sketch shows how the most important air ducting parts that can be used. They are not intended as examples of installation.



1
1
2
3
4
5

Ducting Rating Guide for *AIRTRONIC D2*

Fig. No.	Designation (measurements in millimeters)	Component Rating		See per No. Air Ducting
		1-duct	2-duct	
	Heating air ducting with reduction hood 60 dia. (heater rating 6)			
1	Grille with	1.7	0.6	16
2	connecting socket, plastic			25
3	Flexible pipe, 60 dia. per m	1	0.3	1
3a	90° pipe bend of flex. pip, 60 dia.	1.2	0.8	1
4	Protective grille	0	-	18
5	Reduction hood, 60 dia.	0	-	30
6	Spherical reduction hood, 60 dia.	4.5	-	34
7	90° pipe bend	4.1	0	35
8	T-piece	-	0.6	40
9	Outlet grill 60 dia. (rotatable)	1.4	0	10
10	Y-piece	-	0.3	45
11	Regulating valve 60x60x60 dia. with flap Position "middle"	-	0	41
	Position "right/left"	-	1	
	Heating air ducting with reduction hood 75 dia. (heater rating 12)			
12	Pipe bend, 75 dia.	3	0.8	35
13	Flexible pipe, 75 dia. per m	1	0.3	1
13a	90° pipe bend of flex. pipe, 75 dia.	1.2	0.5	1
14	T-piece 75x75x75 dia.	-	0.8	40
15	Grille, 75 dia.	-	-	16
16	Connecting socket, metal, 75 dia.	0.5	0	27
17	Outlet grill (rotatable)	0.4	0	11
18	Regulating valve 75x75x75 dia. with flap Position "middle"		0.4	41
	Position "right/left"		1.5	
19	Y-piece 75x75x75 dia.	-	0.4	45
20	Intake silencer, 75 dia.	0.5	-	4
21	Outlet grill with	0.4	0.4	17
22	Connecting socket, plastic, 75 dia.			17.2
23	Reduction hood, 75 dia.	0	0	30
24	Silencer, 75 dia.	1	-	3
25	Connector, 75 dia.	0.1	-	46
26	Ring, 60x75 dia.	0	-	36

1

1

2

3

4

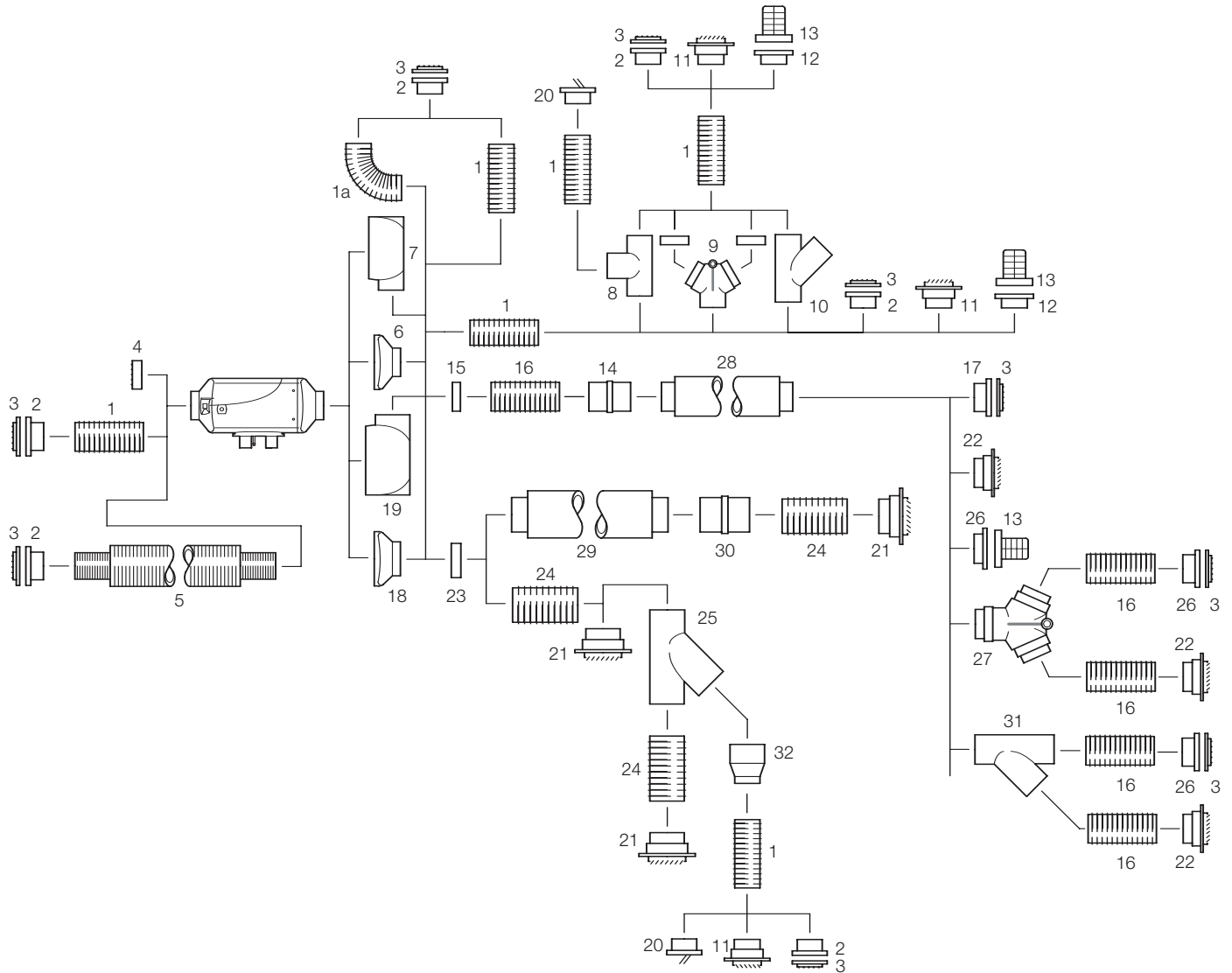
5

Ducting Rating Guide for *AIRTRONIC D4*

Heater Rating 3 - applies with a 75mm dia. outlet hood.

Heater Rating 10 - applies with a 90mm dia. outlet hood.

The sketch shows how the most important air ducting parts that can be used. They are not intended as examples of installation.



- 1
- 1
- 2
- 3
- 4
- 5

Ducting Rating Guide for *AIRTRONIC D4*

Fig. No.	Designation (measurements in millimeters)	Component Rating				See per No. Air Ducting
		1-duct		2-duct		
		75	90	75	90	
	Heating air ducting with reduction hood 75 dia. (heater rating 3)					
	Heating air ducting with reduction hood 90 dia. (heater rating 10)					
1	Flexible pipe, 75 dia. per m	1	-	0.2	0.3	1
1a	90° pipe bend of flex. pipe, 75 dia.	1	-	0.2	0.4	1
2	Connecting socket, metal, 75 dia.	1.4	1.4	-	0.5	27
3	Grille	-	-	-	-	16
4	Grille, 75 dia.	-	-	-	-	18
5	Intake silencer, 75 dia.	1	0.8	-	-	4
6	Reduction hood, 75 dia.	0	-	-	-	30
7	Spherical reduction hood, 75 dia.	2	-	-	-	34
8	T-piece 75x75x75 dia.	-	-	0.3	-	40
9	Regulating valve 75x75x75 dia. with flap Position "middle"	0	-	-	-	41
	Position "right/left"	1.3	-	-	-	
10	Branch piece 75x75x75 dia.	-	-	1.8	-	45
11	Outlet grill (rotatable) 75 dia.	0.6	-	0.5	0.3	11
12	Connector, 75 dia.	-	-	-	-	17.2
13	Outlet grill	1	3.3	0.5	0.5	17
14	Connector, 75 dia.	-	0.1	-	-	46
15	Ring, 75x90 dia.	0	0	-	-	36
16	Flexible pipe, 90 dia. per m	-	1	-	-	1
17	Connector socket, 90 dia. with grille	-	1.4	-	0.5	27
18	Reduction hood, 90 dia.	-	0	-	-	30
19	Spherical reduction hood, 90 dia.	-	5	-	-	34
20	Round outlet, 75 dia.	-	-	-	2.1	12
21	Outlet grill (rotatable) 100 dia.	-	1.4	-	0.5	11
22	Outlet grill (rotatable) 90 dia.	-	2.4	-	0.3	11
23*	Grille, round, 90x100 dia.	-	0	-	-	18
24	Flexible pipe, 100 dia. per m	-	0.6	-	0.4	1
25	Y-piece 100x100x100 dia.	-	-	-	0.5	45
26	Connector, 90 dia., with exhaust pos. 13	-	3.3	-	-	17.2
27	Regulating valve 90x90x90 dia. Position "middle"	-	0	-	-	41
	Position "right/left"	-	1.4	-	-	
28	Silencer, 90 dia.	-	1	-	-	3
29	Silencer, 100 dia.	-	1	-	-	3
30	Connector, 100 dia.	-	0.1	-	-	46
31	Y-piece 90x90x90 dia.	-	-	-	0.5	45
32	Reduction piece, 100 dia. - 75 dia.	-	-	-	0.5	47

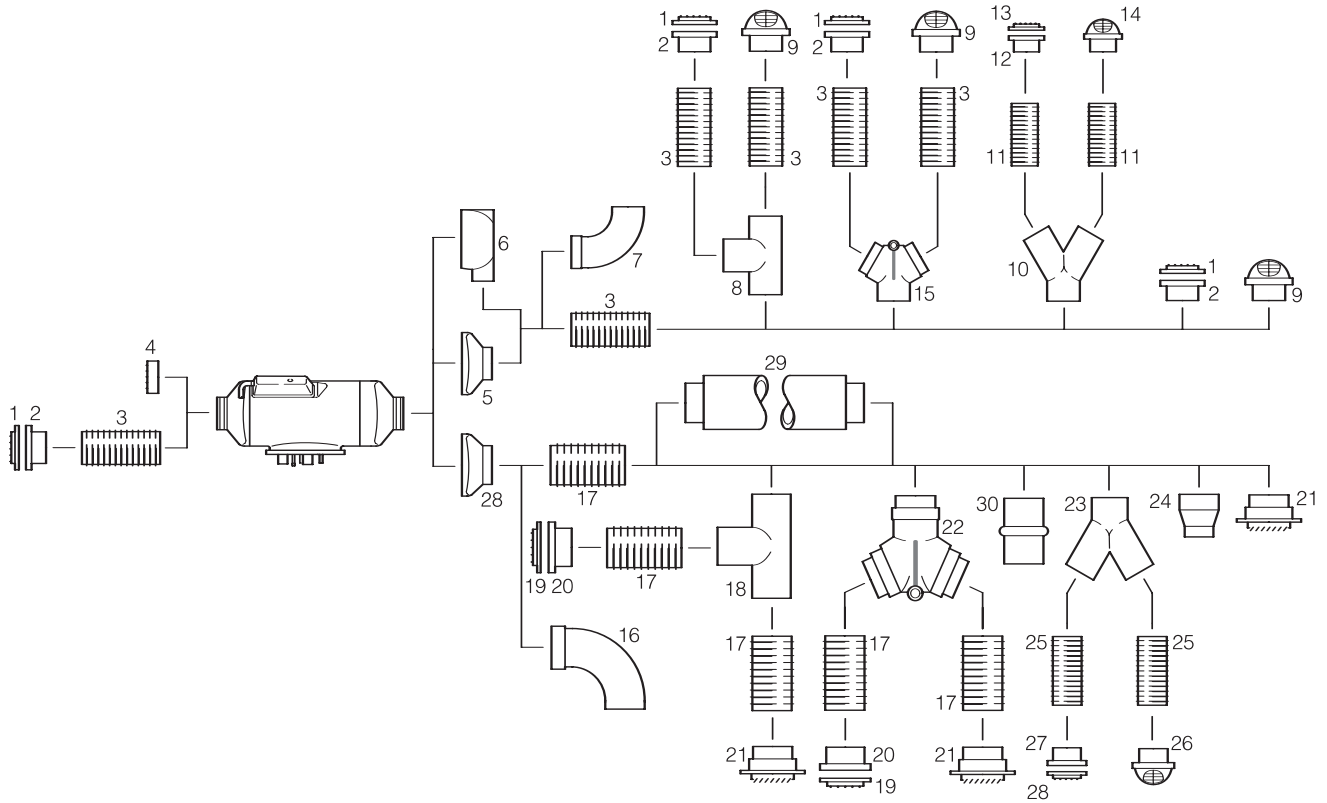
*Pos. 23 - if used as adapter 90x100 dia., cut out the mesh.

1
1
2
3
4
5

Ducting Rating Guide for B1LC compact

Heater Rating 6 - applies with a 60mm dia. outlet hood.
Heater Rating 15 - applies with a 75mm dia. outlet hood

The sketch shows how the most important air ducting parts that can be used. They are not intended as examples of installation.



- 1
- 1
- 2
- 3
- 4
- 5

Ducting Rating Guide for B1LC *compact*

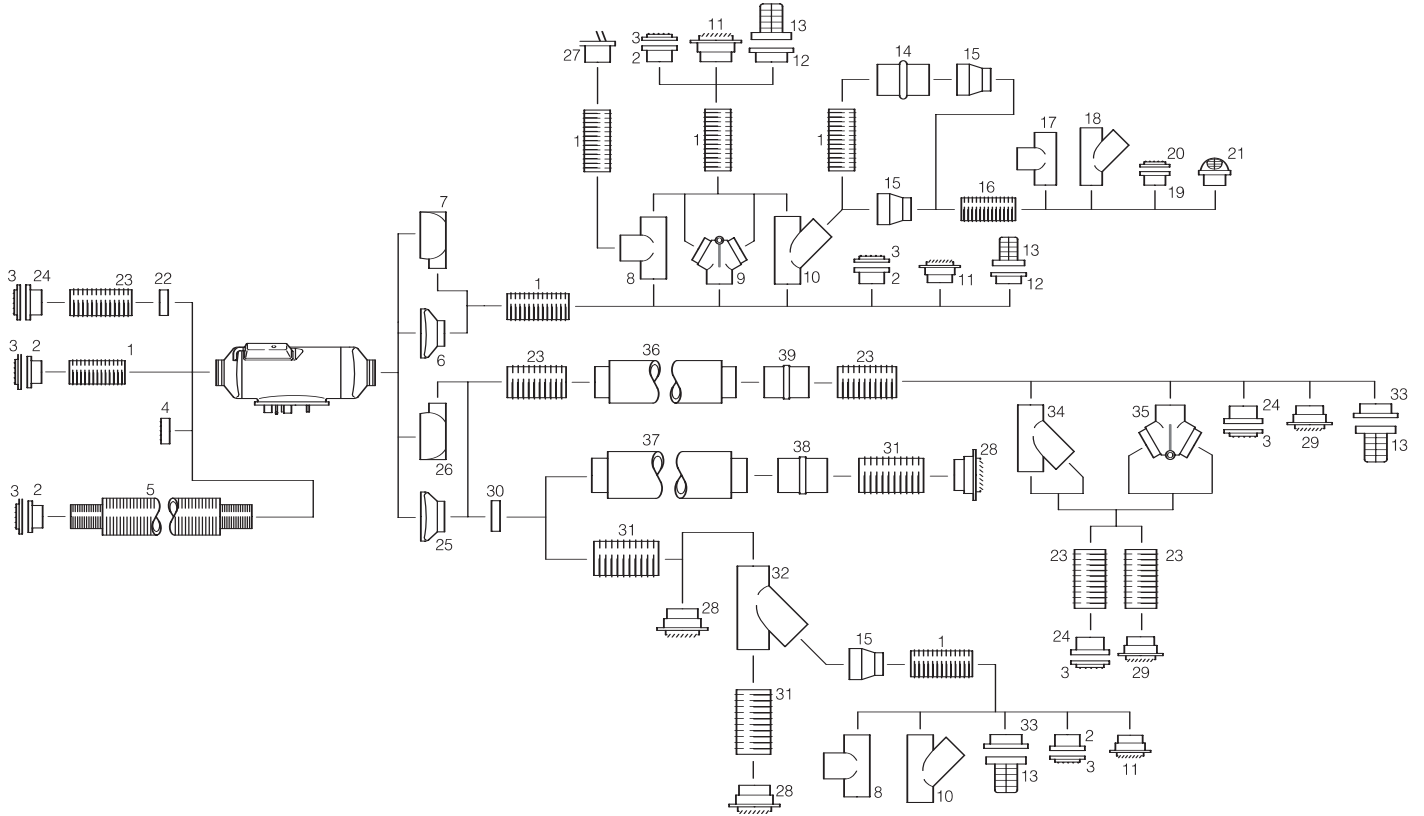
Fig. No.	Designation (measurements in millimeters)	Component Rating		See per No. Air Ducting
		1-duct	2-duct	
Heating air ducting with reduction hood 60 dia. (heater rating 6)				
1	Grille	1.2	0.4	16
2	Connecting socket, plastic	0.3	0	25
3	Flexible pipe, 60 dia. per m	1	0.25	1
-	90° pipe bend of flex. pipe, 60 dia.	0.5	0.1	1
4	Protective grille	0.15	-	18
5	Reduction hood 60 dia.	0	0	31
6	Spherical reduction hood, 60 dia.	1.7	1.7*	32
7	Pipe bend, 60 dia.	3	*	35
8	T-piece, 60 dia.	-	0.3	40
9	Outlet grill (rotatable) 60 dia.	1	0.15	10
10	Y-piece, 60 dia.	-	0.85	44
11	Flexible pipe, 50 dia. per m	-	0.25	1
-	90° pipe bend of flex. pipe, 50 dia.	-	0.1	1
12	Connecting piece	-	0	25
13	Outlet grill	-	0.15	16
14	Outlet grill (rotatable) 50 dia.	-	0.15	10
15	Regulating valve 60x60x60 dia. with flap Position "middle"	-	0	41
	Position "right/left"	-	1	
Heating air ducting with reduction hood 75 dia. (heater rating 15)				
16	Pipe bend, 75 dia.	2	2*	35
17	Flexible pipe, 75 dia., per m	1	0.25	1
-	90° pipe bend of flex. pipe, 75 dia.	0.7	0.15	1
18	T-piece 75x75x75 dia.	-	0.7	40
19	Grille, 75 dia.	0.3	0	16
20	Connecting socket, metal, 75 dia.	0	0	27
21	Outlet grill (rotatable) 75 dia.	0.7	0.15	11
22	Regulating valve 75x75x75 dia. with flap Position "middle"	-	0	41
	Position "right/left"	-	1	
23	Y-piece 50x75x50 dia.	-	1.3	43
24	Reducing piece, 75 dia. - 50 dia.	-	0.8	47
25	Flexible pipe, 50 dia. per m	-	1	1
-	90° pipe bend of flex. pipe, 50 dia.	-	0.8	1
26	Outlet grill (rotatable) 50 dia.	-	0.35	10
27	Connecting socket, plastic, 50 dia.	-	0	25
28	Reduction hood, 75 dia.	0	0	31
29	Silencer, 75 dia.	1	-	3
30	Connector, 75 dia.	-	-	46

*Component is in front of the 2-duct system. In the case of a combination of air-ducting parts - dia. 60 at the intake side and dia. 75 at the exhauster side - the rating of the components at the exhauster side must be multiplied by 0.4. The heating rating 6 applies.

Ducting Rating Guide for B3LC compact

Heater Rating 6 - applies with a 75mm dia. outlet hood.
Heater Rating 13 - applies with a 90mm dia. outlet hood

The sketch shows how the most important air ducting parts that can be used. They are not intended as examples of installation.



- 1
- 1
- 2
- 3
- 4
- 5

Ducting Rating Guide for B3LC *compact*

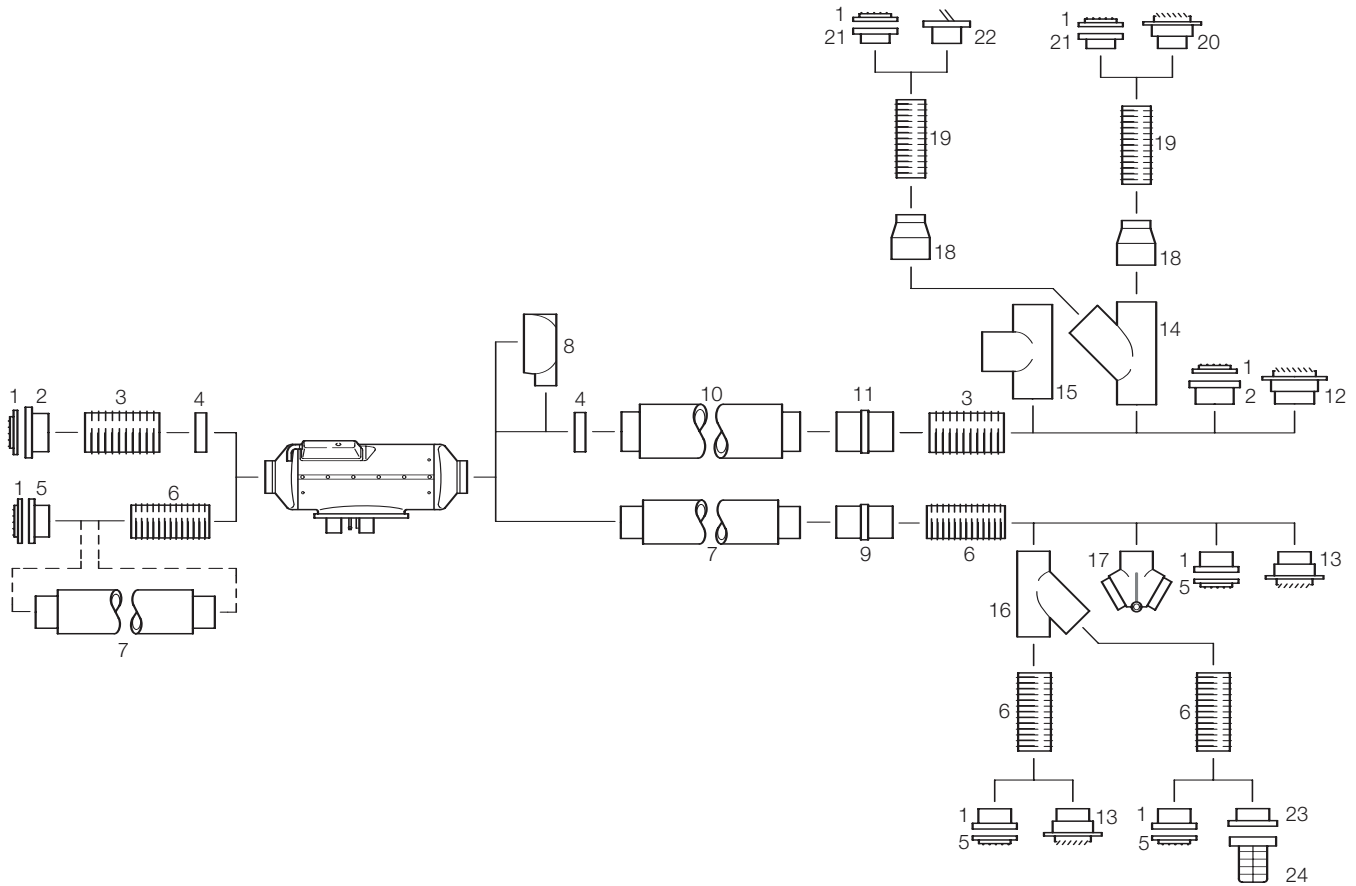
Fig. No.	Designation (measurements in millimeters)	Component Rating				See per No. Air Ducting
		1-duct		2-duct		
		75	90	75	90	
	Heating air ducting with reduction hood 75 dia. (heater rating 6)					
	Heating air ducting with reduction hood 90 dia. (heater rating 13)					
1	Flexible pipe, 75 dia. per m	1	0.9	0.3	0.5	1
2	Connecting socket, metal, 75 dia.	0.3	0.3	0	0	27
3	Grille	0.8	0.5	0.3	0	16
4	Grille, 75 dia.	0.3	0.3	-	-	18
5	Intake Silencer, 75 dia.	0.5	0.5	-	-	4
6	Reduction hood, 75 dia.	0	-	-	-	31
7	Spherical reduction hood, 75 dia.	2.6	-	-	-	32
8	T-piece 75x75x75 dia.	-	-	0.5	0.5	40
9	Regulating valve 75x75x75 dia.	-	-	0.5	-	41
10	Branch piece 75x75x75 dia.	-	-	0.8	0.8	45
11	Outlet grill (rotatable) 75 dia.	0.8	-	0.5	-	11
12	Connector, 75 dia.	0.5	-	0.3	0.3	17.2
13	Outlet grill	0.3	0.3	0.2	0.2	17
14	Connector, 75 dia.	0.3	-	0	-	46
15	Reduction piece, 75 dia. - 60 dia.	-	-	0.3	0	47
16	Flexible pipe, 60 dia. per m	-	-	0.8	-	1
17	T-piece 60x60x60 dia.	-	-	0	-	40
18	Branch piece 60x60x60 dia.	-	-	0	-	45
19	Connecting socket, plastic, 60 dia.	-	-	-	-	25
20	Grille, 60 dia.	-	-	0.2	-	16
21	Outlet grill (rotatable) 60 dia.	-	-	0.8	-	10
22	Ring, 75x90 dia.	0.3	0.3	-	-	36
23	Flexible pipe, 90 dia. per m	-	1	-	-	1
24	Connecting socket, metal, 90 dia.	-	0.5	-	-	27
25	Reduction hood, 90 dia.	-	0	-	-	31
26	Spherical reduction hood, 90 dia.	-	1.4	-	-	32
27	Round outlet, 75 dia.	-	-	-	-	12
28	Outlet grill (rotatable) 100 dia.	-	2.3	-	0	11
29	Outlet grill (rotatable) 90.	-	2.8	-	0	11
30	Grille, round, 90x100 dia.*	-	0	-	-	18
31	Flexible pipe, 100 dia. per m	-	-	-	-	1
32	Y-piece, 100x100x100 dia.	-	-	-	0	45
33	Connector, 90 dia.	-	0.5	-	-	17.2
34	Y-piece	-	-	0.6	0.6	45
35	Regulating valve 90x90x90 dia. with flap					
	Position "middle"	-	0			41
	Position "right/left"	-	1			
36	Silencer, 90 dia.	-	1	-	-	3
37	Silencer, 100 dia.	-	1	-	-	3
38	Connector, 100 dia.	-	-	-	-	46
39	Connecting socket, 60 dia.	-	-	0.3	-	46

*Pos. 30 - if used as adapter 90x100 dia., cut out the mesh.

Ducting Rating Guide for *AIRTRONIC5*

Heater Rating 10

The sketch shows how the most important air ducting parts that can be used. They are not intended as examples of installation.



- 1
- 1
- 2
- 3
- 4
- 5

Ducting Rating Guide for *AIRTRONIC5*

Fig. No.	Designation (measurements in millimeters)	Component Rating		See per No. Air Ducting
		1-duct	2-duct	
Heating air ducting with reduction hood 90 dia. (heater rating 10)				
1	Grille	0.5	0.25	16
2	Connecting socket, metal, 100 dia.	0	0	26
3	Flexible pipe, 100 dia. per m	0.5	0.25	1
	Bend, 90° of flexible pipe, 100 dia.	0	0	1
4	Grille, 90x100 dia.*	0	-	18
5	Connector piece, 90 dia.	0	0	27
6	Flexible pipe, 90 dia. per m	1.0	0.3	1
	Bend, 90° of flexible pipe, 90 dia.	0.25	0	1
7	Silencer, 90 dia.	0.6	0.3	3
8	Spherical reduction hood, 90 dia.	1.5	-	31
9	Connector, 90 dia.	-	-	46
10	Silencer, 100 dia.	0.25	0	3
11	Connector, 100 dia.	-	-	46
12	Outlet grill (rotatable) 100 dia.	3.25	1.0	11
13	Outlet grill (rotatable) 90 dia.	3.25	1.0	11
14	Y-piece 100x100x100 dia.	0.5	0	45
15	T-piece 100x100x100 dia.	0.25	0	40
16	Y-piece 90x90x90 dia.	0.5	0	45
17	Regulating valve 90x90x90 dia.			
	Position "middle"	0	-	41
	Position "right/left"	1	-	
18	Reduction piece, 100 dia. - 75 dia.	2.75	1.0	47
	Flexible pipe, 75 dia. per m	-	1.5	1
19	Bend, 90° of flexible pipe, 75 dia.	-	0.5	1
20	Outlet grill (rotatable) 75 dia.	-	1.25	11
21	Connecting socket, metal, 75 dia.	-	0	27
22	Round outlet, 75 dia., closing	-	-	12
23	Connector, 90 dia.	-	-	17.2
24	Outlet grill	-	-	17

*Pos. 4 - if used as adapter 90x100 dia., cut out the mesh.

1
1
2
3
4
5

Ducting Rating Guide for D8LC

Fig. No.	Designation (measurements in millimeters)	Component Rating		See per No. Air Ducting
		1-duct	2-duct	
	Heating air ducting with reduction hood 100 dia. (heater rating 8)			
1	Grille, 100 dia.	0.1	-	18
2	Flexible pipe, 100 dia., per m	1.0	0.25	1
-	Pipe bend, 90°, of flex. pipe, 100 dia.	0.5	0.15	1
3	Connecting socket, metal, 100 dia.	0.18	0.1	26
4	Grille, painted, 100 dia.	1.8	0.1	16
-	Grille, nickel-plated, 100 dia.	1.8	0.1	16
5	Silencer, 100 dia.	1.1	0.25	3
6	Connector socket, 100 dia.	-	-	46
7	Outlet grill (rotatable), 100 dia.	3.25	1.1	11
8	Grille, 90x100 dia.*	0	-	18
9	Regulating valve 100x100x100 dia.	2.4	-	41
10	Flexible pipe, 90 dia., per m	1.0	0.25	1
11	Connecting socket, metal, 90 dia.	-	-	27
12	Outlet grill (rotatable) 90 dia.	-	1.4	11
13	Y-pipe 100x100x100 dia.	0	-	45
14	Reduction piece, 100 dia. - 74 dia.	-	0.55	51
15	Flexible pipe 75 dia. per m	-	1.1	1
-	Pipe bend, 90° of flex. pipe, 75 dia.	-	1.1	1
16	Outlet grill (rotatable) 75 dia.	-	-	11
17	Connector socket, 75 dia.	-	0.1	27
18	Connecting socket, metal, 75 dia.	-	0.15	12

*Pos. 8 - if used as adapter 90x100 dia., cut out the mesh.

1
1
2
3
4
5



Espar Products, Inc.
6099A Vipond Drive
Mississauga, ON
L5T 2B2 CANADA
(905) 670-0960
(800) 387-4800
(905) 670-0728 Fax
inquiries@espar.com

www.espar.com

